

# PUCH



'78 – '80

Maxi, Maxi Luxe, Sport MK II, Newport II

## MOPED SPARE PARTS MANUAL

### Includes

- Complete parts listings for engine, chassis, front fork, road wheels, electrical equipment, and accessories.
- Three-dimensional diagrams for disassembly – assembly
- All reference and part numbers
- Numerical cross-listing reference

Steyr - Daimler - Puch

PUCH SERVICE - AUSTRIA

A/28 1/80

Thank you for selecting genuine PUCH replacement  
Parts and accessories.

C O N T E N T S

ENGINE	1. CRANKCASE
	1a. CRANKCASE for 2-speed Automatic-models
	2. CYLINDER, PISTON
	2a. CRANKSHAFT
	3. CLUTCH
	3a. CLUTCH for 2-speed Automatic-models
	4. GEARBOX
	4a. GEARBOX for 2-speed Automatic-models
	5. CARBURETOR
	6. AIR FILTER ASSEMBLY
	7. EXHAUST
	8. MAGNETO GENERATOR
CHASSIS	11. FRAME, FUEL TAP, SADDLE
	11a. SINGLE SEAT, LUGGAGE CARRIER FOR SPORT MK II
	12. FENDER, LUGGAGE CARRIER
	13. CHAIN GUARD
	14. PROP STAND
	15. PEDALS, CHAINS, CHAIN TENSIONER
	15a. REAR SUSPENSION
FRONT FORK	16. FRONT FORK WITH STEERING
	17. HANDLEBAR AND CONTROLS
	18. CABLES
ROAD WHEELS	19. FRONT WHEEL (Wire Spoke)
	19a. FRONT WHEEL (Mag. Type)
	20. REAR WHEEL (Wire Spoke)
	20a. REAR WHEEL (Mag. Type)
ELECTRICAL EQUIPMENT	21. HEADLAMP, SWITCH
	21a. TAIL-STOP-LIGHT, HORN, HARNESS
	21b. SPEEDOMETER WITH SPEEDOMETER DRIVE
ACCESSORIES	22. TOOLS, PUMP, REAR MIRROR

To convert millimeters to inches, multiply by 0,0393

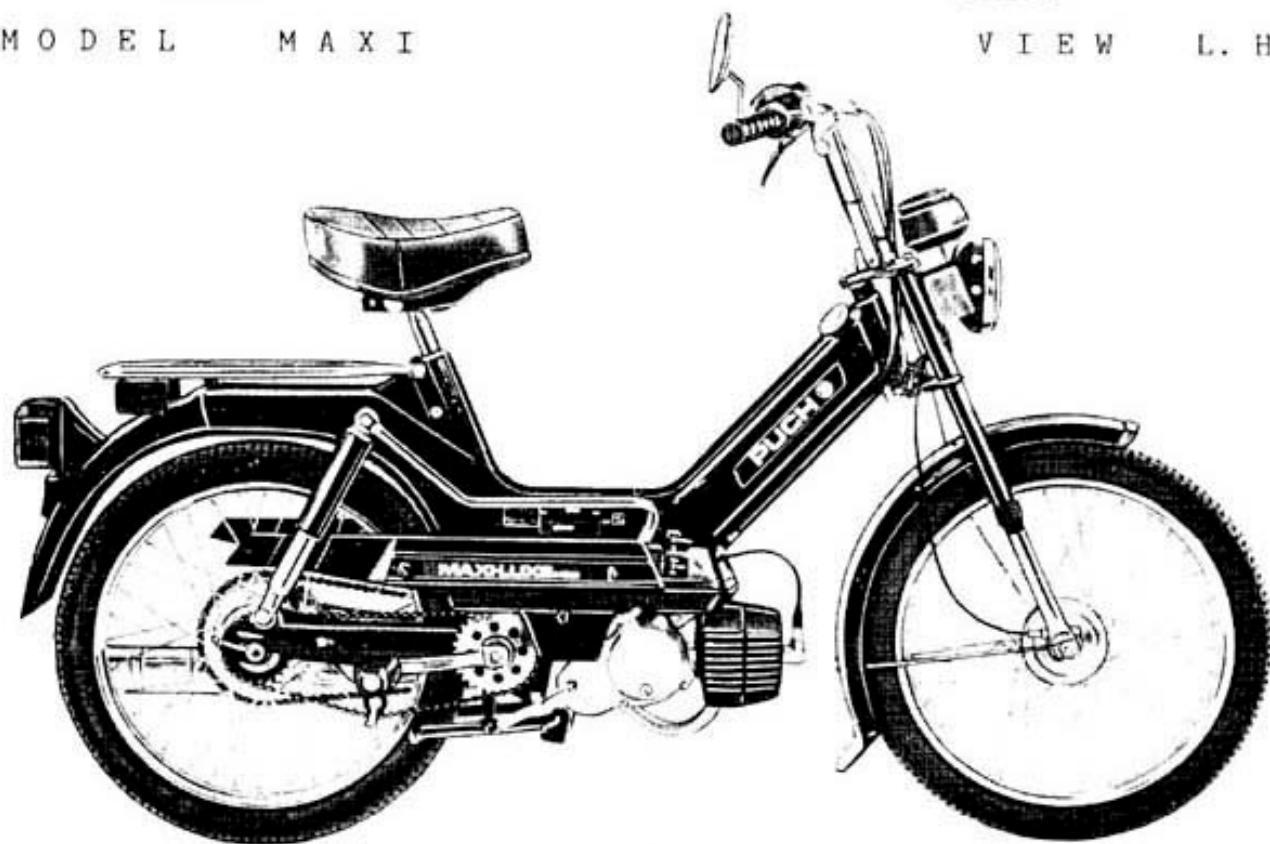


Puch 1-speed and 2-speed Maxi USA



MODEL MAXI

VIEW L. H.

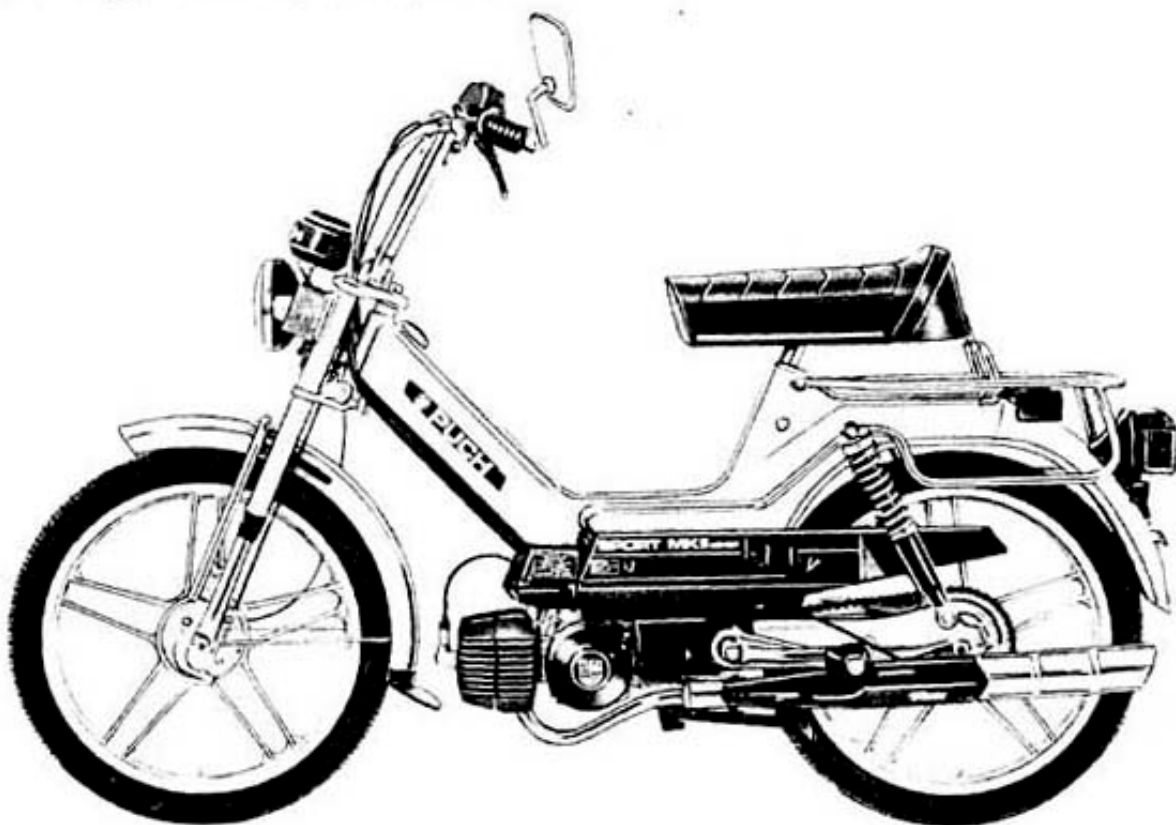


MODEL MAXI LUXE  
SPARE PARTS PAGE 4



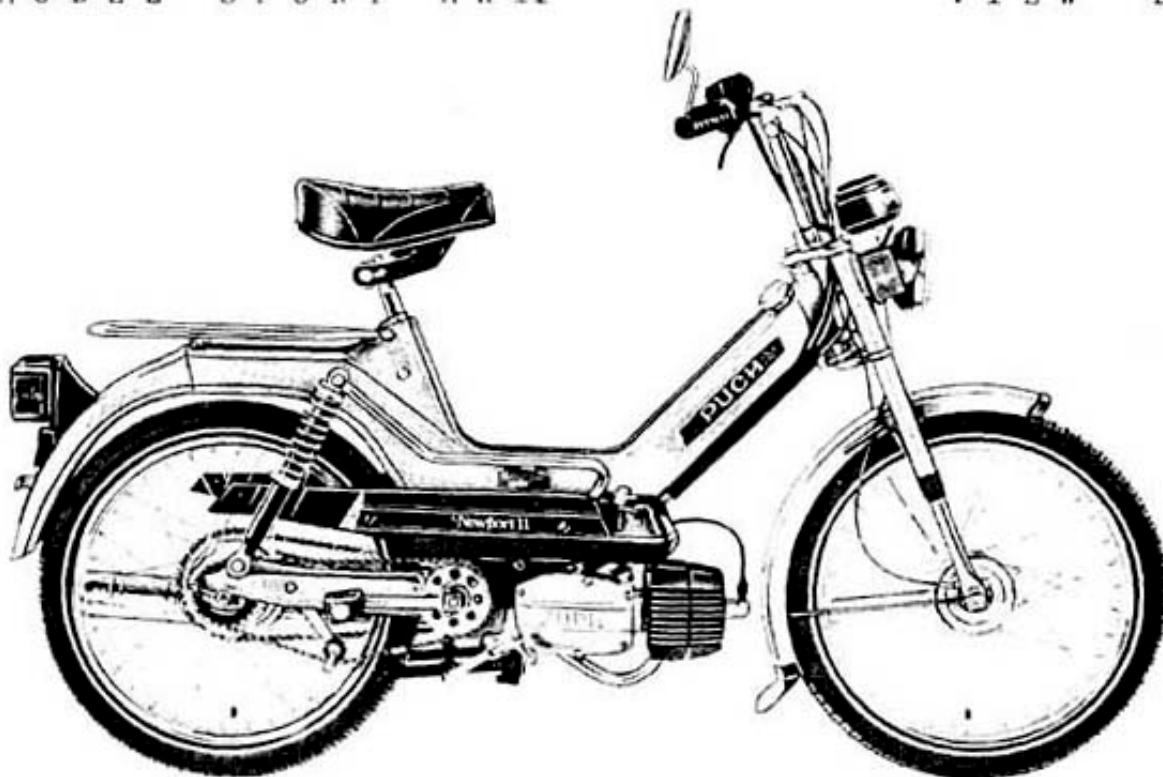
VIEW R. H.

1-speed and 2-speed Maxi USA



MODEL SPORT MKII

VIEW L. H.



MODEL NEWPORT II

VIEW R. H.  
SPARE PARTS PAGE 5



USA AUTOMATIC MODELS

MAXI, MAXI-LUXE, SPORT MKII AND NEWPORT II  
are available in the following colors:

Silver	RAL	9006	Color-code-number	90
Candy Red	Puch	3052 T	Color-code-number	45
Metallic Blue	Puch	5051 T	Color-code-number	73
Burgundy	RAL	8017 T	Color-code-number	36
Black	RAL	9005	Color-code-number	30
Glossy Black	GR	9005	Color-code-number	E3
Inka Gold	Puch	2056 M	Color-code-number	89
Silver green	Puch	6071 M	Color-code-number	96
Carmin Red	Puch	3058 M	Color-code-number	D5

When ordering pointed parts, please do not forget to state the matching color-code-number

e.g. 349.2.20.800.0/89



## I M P O R T A N T

To get a quick and correct shipment of your spare parts orders the following statements are necessary:

1. Exact description of vehicle
2. Engine no.
3. Spare parts no.
4. Description
5. Color
6. Required quantity
7. Wanted way of delivery

Please direct your orders to:

Place for stamp

## G E N E R A L   E X P L A N A T I O N S

Statements such as "left", "right", "front", "rear" at the description of spare parts refer to the moving direction of vehicle. The given dimensions (in mm) for particular parts have to be considered as standards. (To convert millimeters to inches, multiply by 0,03937).

A reference number bracketed on the illustrated page means that this number appears several times on the illustrated page.

A ref.no. within brackets before a spare part means, that the said part is only similar to the illustration.

The abbreviation "as requd." means "as required"; the abbreviation "p.m." means "per meter".

Puch is continuously reviewing its products for possible improvement and reserves the right to change details and specifications without notice.



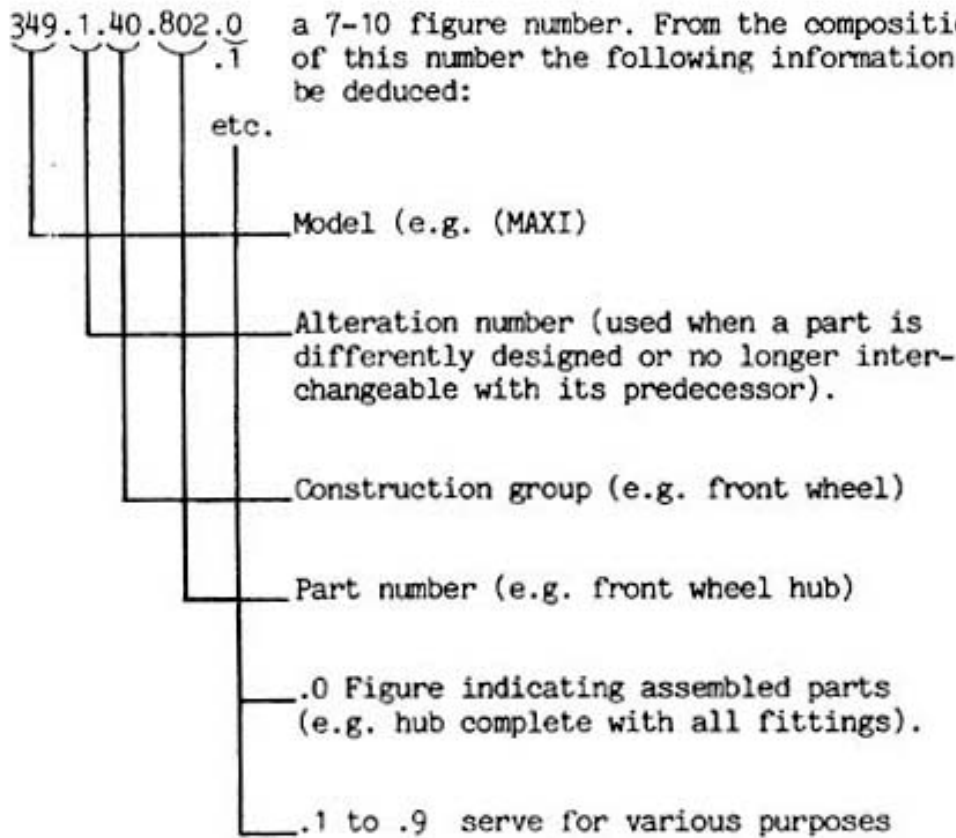
EXPLANATION OF THE SPARE PARTS CLASSIFICATION NUMBERS

To facilitate the systematic arrangement of the various spare parts in your spares depot, the system of classification by numbers is explained below.

Types of numbers:

- A E.g. 900.1028 a so called "900-number" given to standard parts, commercial parts and electrical equipment parts.
- B E.g. 24865 a 2-5 figure number. (Such numbers used to be given to the spares of models manufactured in the past. Insofar as such parts are used in currently produced machines, these numbers will still appear in the spares lists.)

C E.g. 349.1.40.802.0 a 7-10 figure number. From the composition of this number the following information can be deduced:



TYPE NUMBER FOR MAXI IS 349





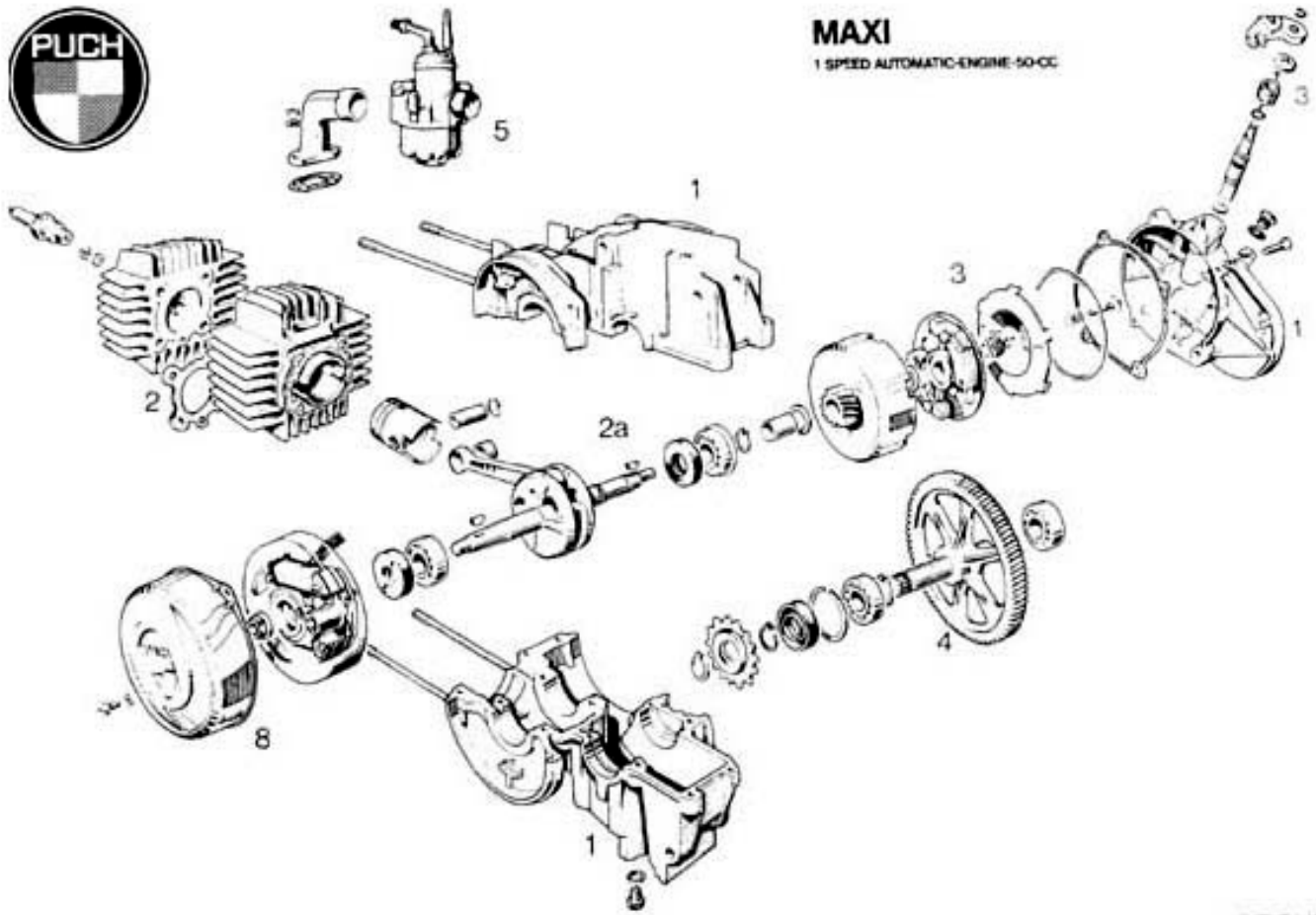
L I S T O F C O N S T R U C T I O N S G R O U P S

- 10 CRANKCASE, CYLINDER, ENGINE PARTS  
11 OIL PUMP  
12 CLUTCH  
13 GEARBOX  
15 CARBURETOR, AIR FILTER ASSEMBLY  
16 EXHAUST  
20 FRAME  
21 REAR SUSPENSION  
22 FUEL TANK, FUEL TAP  
23 SADDLE  
24 STANDS  
27 FENDER  
28 DRIVING CHAIN, CHAIN GUARDS  
29 LUGGAGE CARRIER  
30 FRONT FORK  
31 STEERING  
32 HANDLEBAR  
40 FRONT WHEEL  
41 REAR WHEEL  
42 CRANKS  
50 )  
to ) ELECTRICAL EQUIPMENT  
59 )  
70 TOOLS  
72 EQUIPMENT, REAR MIRROR  
-- CONTROL CABLES 910 = TYPE NUMBER





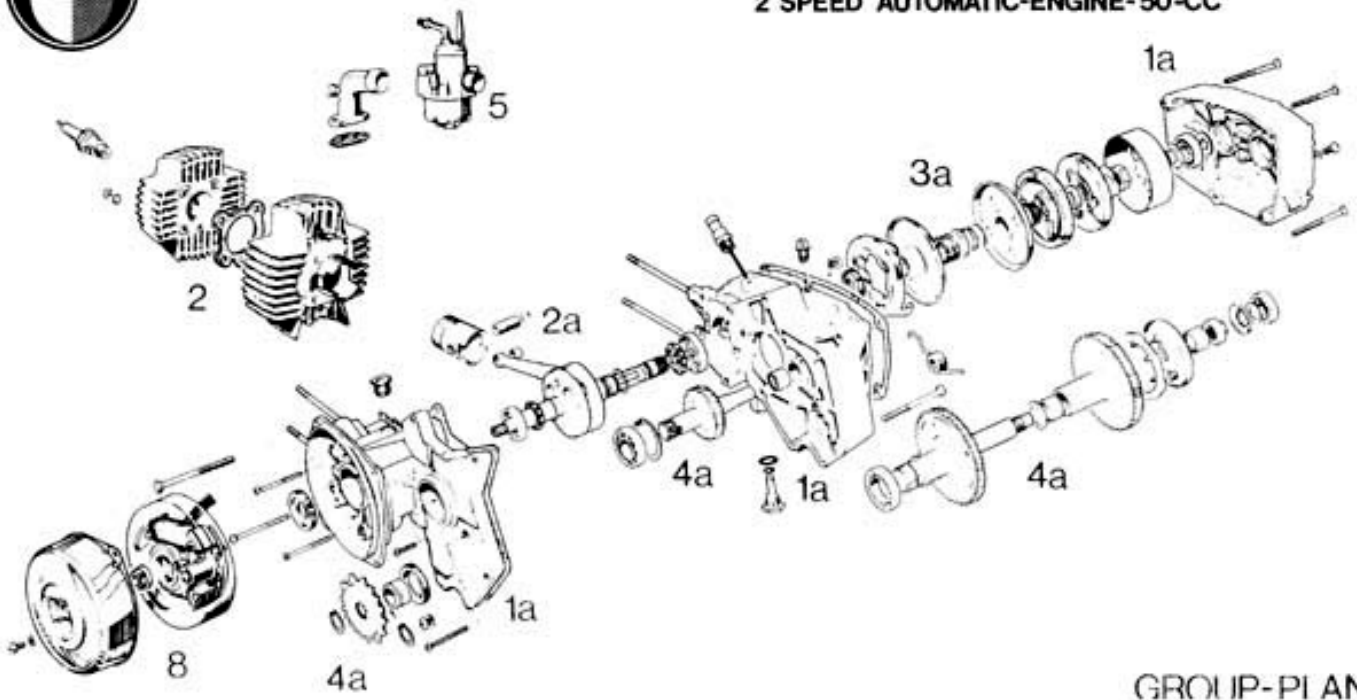
**MAXI**  
1 SPEED AUTOMATIC-ENGINE-50-CC



GROUP-PLAN



**MAXI**  
**2 SPEED AUTOMATIC-ENGINE-50-CC**



GROUP-PLAN

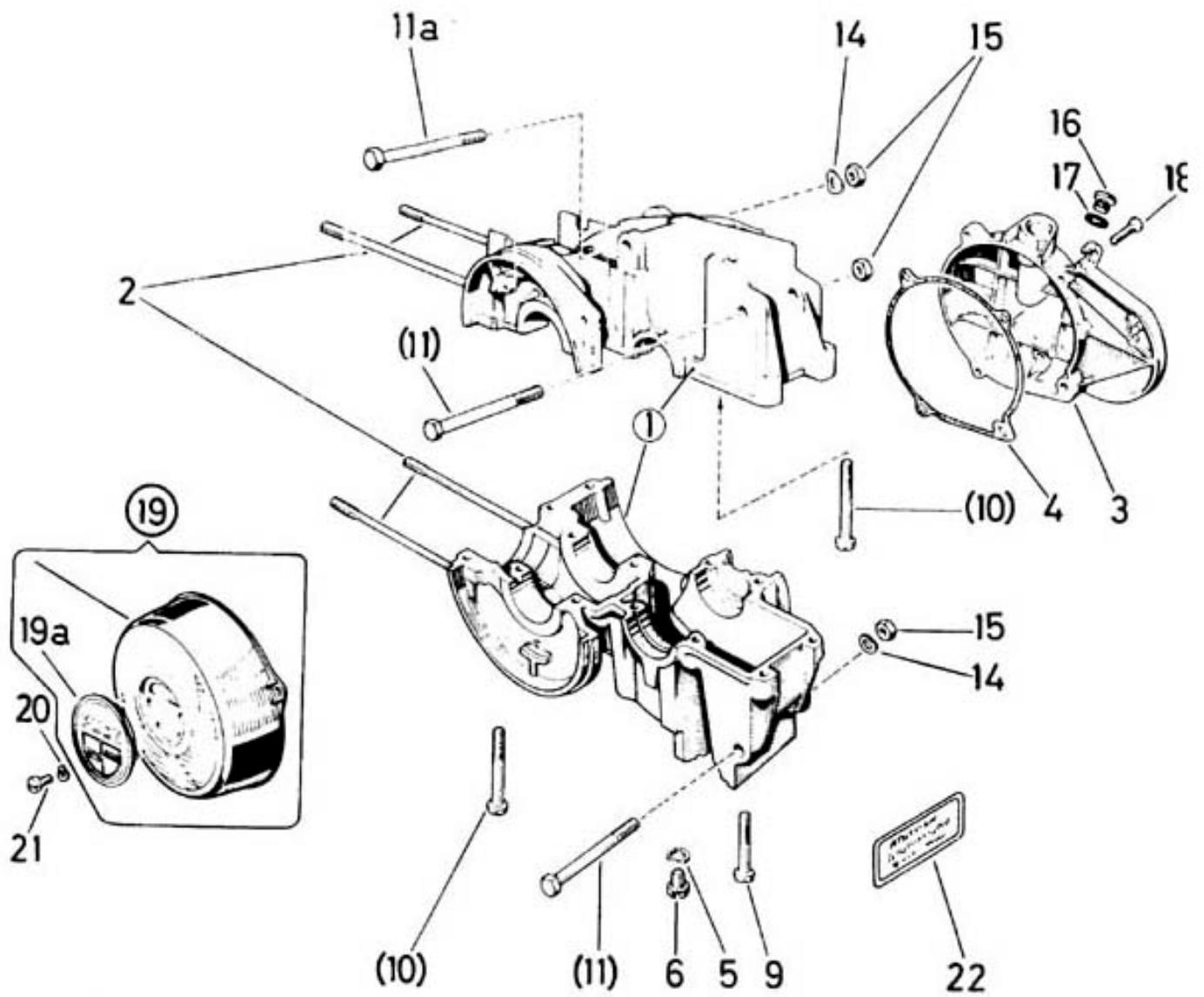
Puch 1-speed and 2-speed Maxi USA

Models			
M	M	S	N
A	A	P	E
X	X	O	W
I	I	R	P
		T	O
		L	R
		U	M
		X	K
		E	II
		II	II
Required-No.			

1. CRANKCASE

Ref.- No.	Part- No.	Description	Required-No.			
--	349.4.10.804.0	ENGINE compl. (1 HP)	1	-	-	-
--	349.5.10.804.0	ENGINE compl. (1,5 HP)	1	-	-	-
--	349.6.10.804.0	ENGINE compl. (2 HP)	1	-	-	-
--	349.3.10.804.0	ENGINE compl. (1 HP)	-	1	-	-
--	349.2.10.804.0	ENGINE compl. (1,5 HP)	-	1	-	-
--	349.1.10.804.0	ENGINE compl. (2 HP)	-	1	-	-
--	321.6.10.601.0	ENGINE compl. (1 HP)	-	-	1	1
--	321.7.10.601.0	ENGINE compl. (1,5 HP)	-	-	1	1
--	321.8.10.601.0	ENGINE compl. (2 HP)	-	-	1	1
--	349.1.10.890.0	SHORT ENGINE (1-speed)	1	1	-	-
--	321.1.10.690.0	SHORT ENGINE (2-speed)	-	-	1	1
1	349.1.10.332.0	CRANKCASE compl.	1	1	-	-
2	360.1.10.034.1	STUD BOLT M6, 103 long	4	4	-	-
3	349.5.10.335.1	COVER	1	1	-	-
4	349.1.10.349.1	COVER GASKET	1	1	-	-
5	26482	SEAL WASHER A8x14 DIN 7603	1	1	-	-
6	901.1053	HEXAGON BOLT M8x10 Sz DIN 933	1	1	-	-
9	900.1216	CHEESE HEAD SCREW M6x30 DIN 84-8.8	8	8	-	-
10	901.1308	CHEESE HEAD SCREW CM6x50 DIN 84-8.8	5	5	-	-





Ma/10/4 US.

Puch 1-speed and 2-speed Maxi USA

Models

M M S N  
A A P E  
X X O W  
I I R P  
T O  
L / R  
U M T  
X K  
E II II

1. CRANKCASE (cont.)

Ref.- No.	Part- No.	Description	Required-No.			
11	901.1001	HEXAGON BOLT M8x1x75 DIN 960-8.8	2	2	-	-
11a	901.1002	HEXAGON BOLT M8x1x90 DIN 960-8.8	1	1	-	-
14	900.3211	SPRING WASHER B8 DIN 137	2	2	-	-
15	902.2914	HEXAGON NUT M8x1 DIN 985-8	1	1	-	-
15	900.2021	HEXAGON NUT M8x1 DIN 934-8	2	2	-	-
16	364.1.10.660.1	OIL FILLER PLUG (M10)	1	1	-	-
17	27071	SEAL WASHER A10x14 DIN 7603	1	1	-	-
18	D009660082	PAN HEAD SCREW for cover fixing M6x25 DIN 966-8.8 (replacement for 900.9460)	4	4	-	-
19	349.7.10.034.2	GENERATOR COVER - chrome (with part 19a - black)	1	1	-	-
19a	349.4.10.036.1	PLASTIC PANEL (black)	1	1	-	-
20	900.3202	SPRING WASHER A4 DIN 137	2	2	-	-
21	900.1509	PAN HEAD SCREW AM 4x10 DIN 85	2	2	-	-
22	321.1.28.779.1	INDICATION PLATE (attention, before the first start type "F" transmission fluid must be filled in gearbox)	1	1	-	-



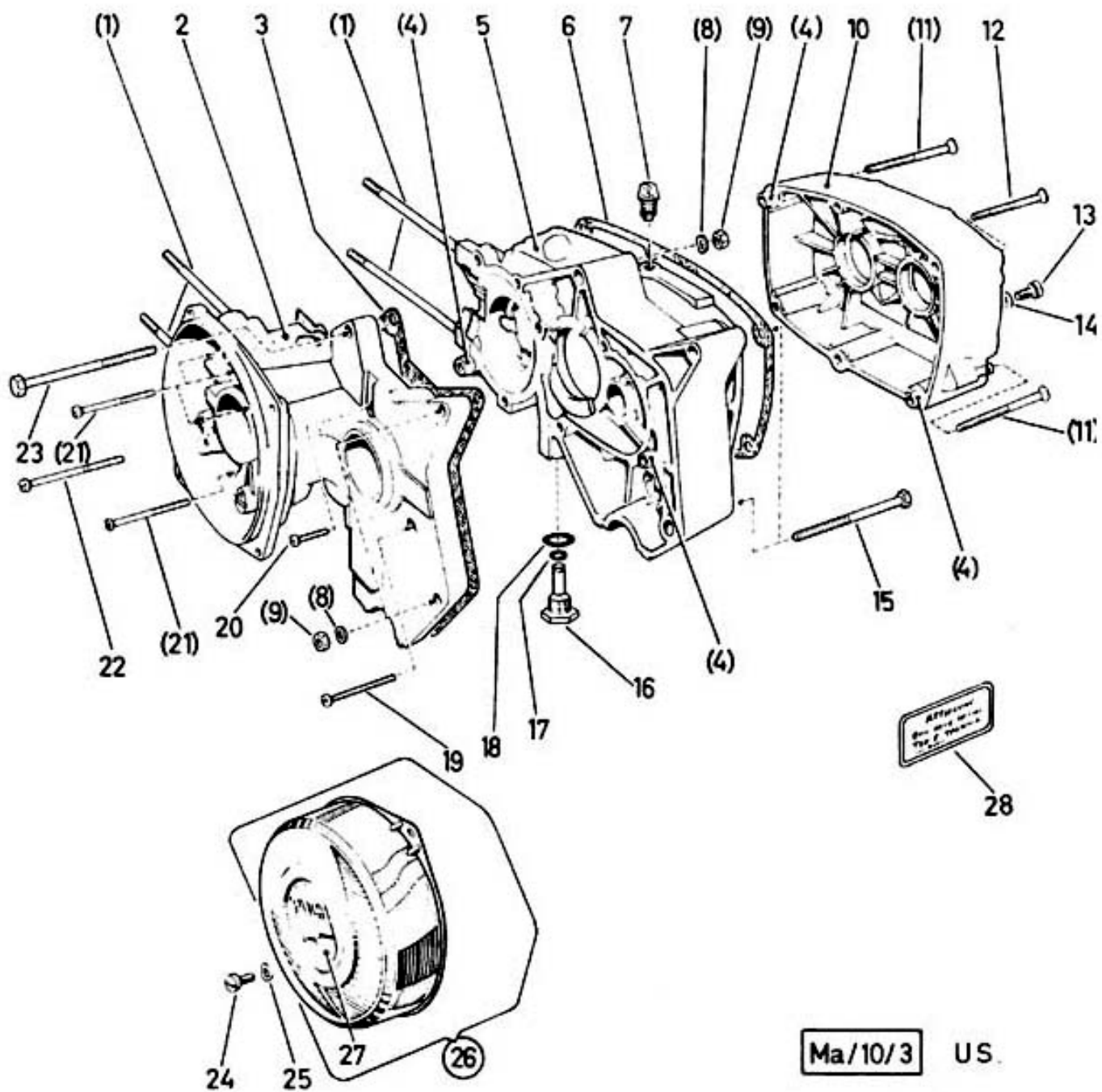
Puch 1-speed and 2-speed Maxi USA

Models			
M	M	S	N
A	A	P	E
X	X	O	W
I	I	R	P
		T	O
		L	R
		U	M
		X	K
		E	II
		II	II

1a. CRANKCASE  
for 2-speed Automatic-models

Ref.- No.	Part- No.	Description	Required-No.			
1	360.1.10.034.1	STUD (M6x103)	-	-	4	4
2	321.2.10.632.9	CRANKCASE l.h., compl.	-	-	1	1
3	321.2.10.631.1	CRANKCASE GASKET (replacement for 321.1.10.631.1)	-	-	1	1
4	050.10.1054	SPACER 10/8/20	-	-	4	4
5	321.1.10.633.9	CRANKCASE r.h., compl.	-	-	1	1
6	321.1.10.649.1	CRANKCASE COVER GASKET	-	-	1	1
7	364.2.10.660.1	OIL FILLER PLUG	-	-	1	1
8	900.3211	SPRING WASHER B8 DIN 137	-	-	3	3
9	900.2021	HEXAGON NUT M8x1 DIN 934	-	-	3	3
10	321.2.10.635.1	CRANKCASE COVER (replacement for 321.1.10.635.1)	-	-	1	1
11	900.1687	COUNTERSUNK HEAD SCREW M6x70 DIN 964	-	-	2	2
12	900.1684	COUNTERSUNK HEAD SCREW M6x55 DIN 964	-	-	4	4
13	900.1305	CHEESE HEAD SCREW M6x8 DIN 84	-	-	1	1
14	24365	SEAL WASHER A6x12 DIN 7603	-	-	1	1
15	901.1001	HEXAGON HEAD SCREW M8x1x75	-	-	2	2
16	321.1.10.670.1	DRAIN PLUG (M14x1,5)	-	-	1	1
17	900.3797	O-RING RDR 4,3x2,4 DIN 3770	-	-	1	1
18	900.3720	SEAL WASHER 22/14,3/1	-	-	1	1





Ma/10/3 US



Puch 1-speed and 2-speed Maxi USA

Models

M	M	S	N
A	A	P	E
X	X	O	W
I	I	R	P
		T	O
	L	/	R
	U	M	T
	X	K	
	E	II	II

1a. CRANKCASE (cont.)  
for 2-speed Automatic-models

Ref.- No.	Part- No.	Description	Required-No.			
19	900.1207	CHEESE HEAD SCREW M6x40 DIN 84	-	-	1	1
20	24577	CHEESE HEAD SCREW M6x25 DIN 84	-	-	2	2
21	901.1308	CHEESE HEAD SCREW M6x50 DIN 84-8.8	-	-	4	4
22	900.1221	CHEESE HEAD SCREW M6x60 DIN 84	-	-	1	1
23	901.1002	HEXAGON SCREW M8x1x90 DIN 960-8.8	-	-	1	1
24	900.1509	COUNTERSUNK HEAD SCREW M4x10 DIN 85	-	-	2	2
25	900.3202	SPRING WASHER A4 DIN 137	-	-	2	2
26	349.4.10.034.2	GENERATOR COVER - black (with part 27 - green gold)	-	-	1	1
27	349.2.10.036.1	PLASTIC PANEL (green-gold)	-	-	1	1
28	321.1.28.779.1	INDICATION PLATE (attention, before the first start type "F" transmission fluid must be filled in gearbox)	-	-	1	1



Puch 1-speed and 2-speed Maxi USA

Models

M	M	S	N
A	A	P	E
X	X	O	W
I	I	R	P
		T	O
	L	/	R
	U	M	T
	X	K	
	E	II	II

2. CYLINDER, PISTON

Ref.- No.	Part- No.	Description	Required-No.			
			M	M	S	N
1	902.0728	SPARK PLUG, Bosch W10A (W95 T1) (1 HP)	1	1	1	1
1	902.0726	SPARK PLUG, Bosch W8A (W145 T1) (1,5 HP)	1	-	-	-
1	902.0724	SPARK PLUG, Bosch W7A (W175 T1) (2 HP)	1	-	-	-
2	900.2014	HEXAGON NUT M6 DIN 934	4	4	4	4
3	24804	WASHER 6,4 DIN 433	4	4	4	4
4	349.4.10.001.1	CYLINDER COVER	1	-	-	-
4	349.2.10.201.1	CYLINDER COVER (black) (1 HP)	-	1	-	-
5	328.1.10.804.1	CYLINDER COVER GASKET (Alu-plate, 1,5mm thick) (1 HP)	1	1	-	-
		(1,5 HP)	-	1	1	1
5	349.1.10.004.1	CYLINDER COVER GASKET (Alu-foil 4-rows, (1 HP) 0,4mm thick) (1,5 HP and 2 HP)	-	-	1	1
			1	-	-	-
6	349.8.10.005.0	CYLINDER compl. (with piston, wrist pin and wire retaining ring) (1 HP)	1	-	-	-
6	349.3.10.205.0	CYLINDER compl. (with piston, wrist pin and wire retaining ring) black (1 HP)	-	1	-	-
6	349.1.10.005.0	CYLINDER compl. (1,5 HP) (with piston, wrist pin and and wire retaining ring) 2 HP)	1	-	-	-



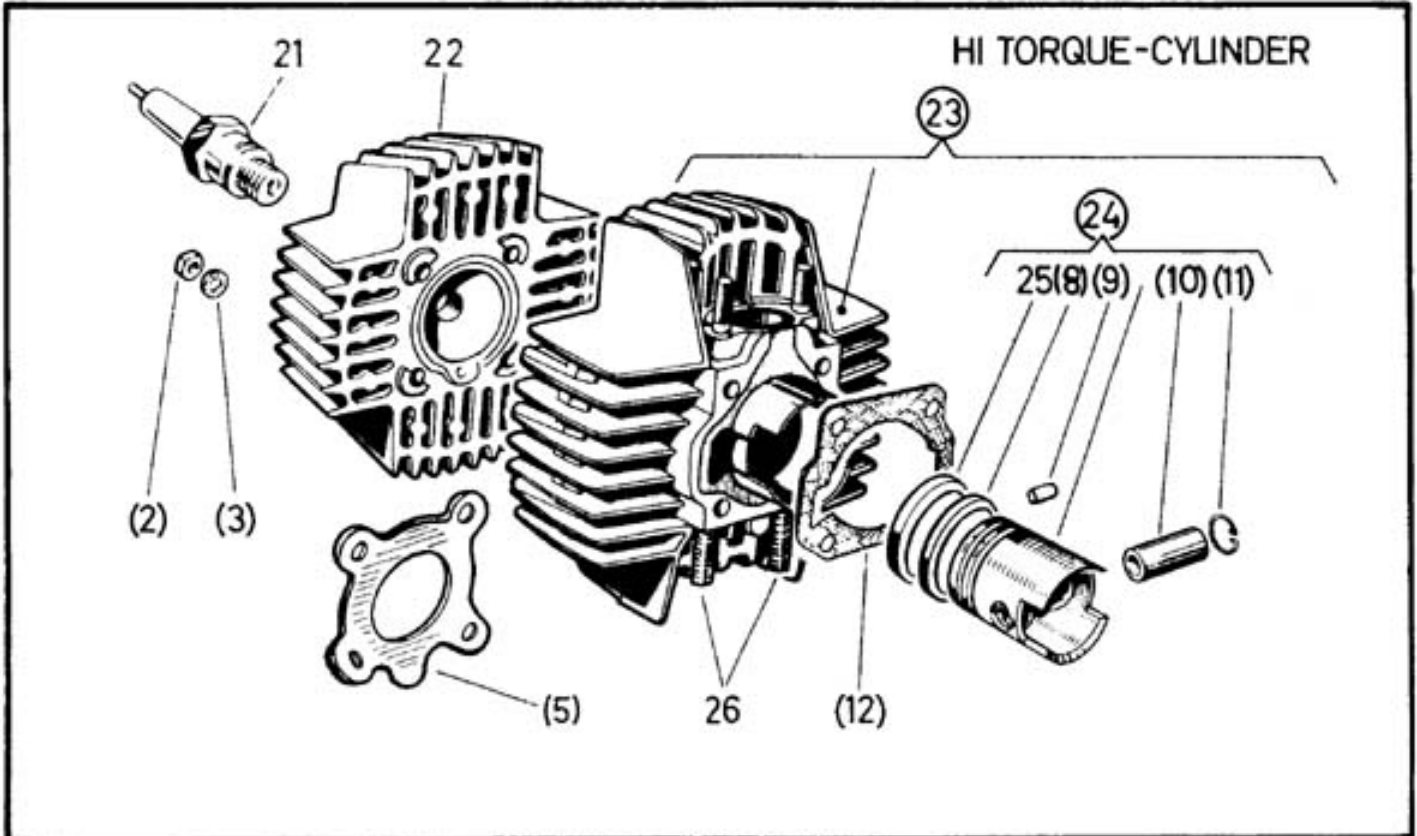
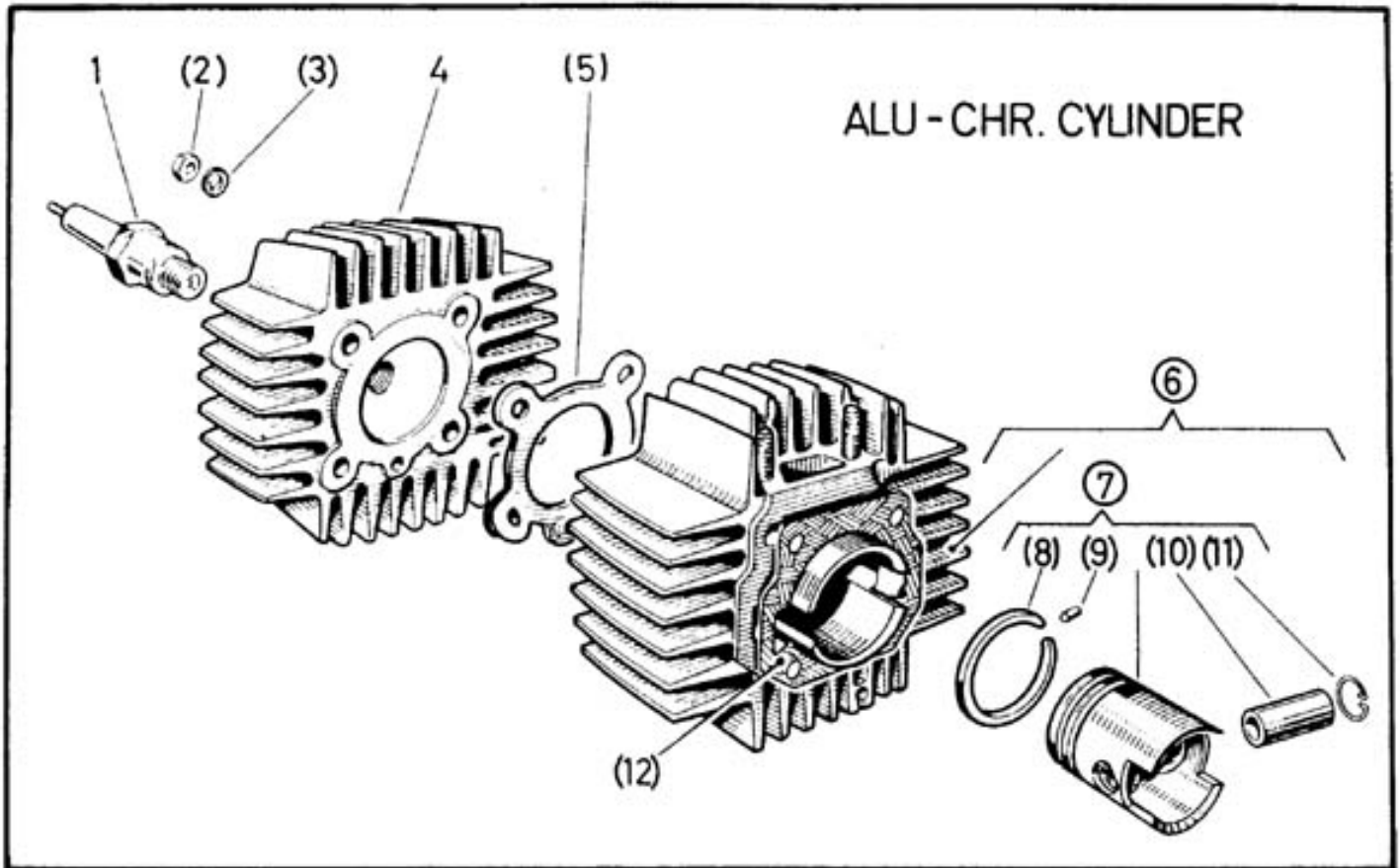
Puch 1-speed and 2-speed Maxi USA

Models			
M	M	S	N
A	A	P	E
X	X	O	W
I	I	R	P
		T	O
		L	R
		U	M
		X	K
		E	II
		II	II

2. CYLINDER, PISTON (cont.)

Ref.- No.	Part- No.	Description	Required-No.			
7	349.1.10.006.9/21	PISTON compl. Ø38, sort.1 )	1	1	1	1
7	349.1.10.006.9/22	PISTON compl. Ø38, sort.2 )	1	1	1	1
7	349.1.10.006.9/23	PISTON compl. Ø38, sort.3 )	as requd.			
7	349.1.10.006.9/24	PISTON compl. Ø38, sort.4 )	1	1	1	1
7	349.1.10.006.9/25	PISTON compl. Ø38, sort.5 )	1	1	1	1
7	349.1.10.106.9/21	PISTON compl. Ø38, sort.1 )	1	-	-	-
7	349.1.10.106.9/22	PISTON compl. Ø38, sort.2 )	1	-	-	-
7	349.1.10.106.9/23	PISTON compl. Ø38, sort.3 )	as requd.			
7	349.1.10.106.9/24	PISTON compl. Ø38, sort.4 )	1	-	-	-
7	349.1.10.106.9/25	PISTON compl. Ø38, sort.5 )	1	-	-	-
8	331.1.10.160.1	PISTON RING (square ring 38/35x2Z-FS2-ka-ki DIN 24919 with rounded edges) for Hi Torque Cyl.1,5 and 2 HP for Alu-Chr.Cyl.	-	1	-	-
			2	2	2	2
9	900.4855	NOTCHED LOCKING PIN 2x6 DIN 1473	2	2	2	2
10	331.1.10.011.1/12	GUDGEON PIN ) Ø12x31, sort.2 )	1	1	1	1
		) as required				
10	331.1.10.011.1/13	GUDGEON PIN ) Ø12x31, sort.3 )	1	1	1	1
11	901.4701	WIRE RETAINING RING B12 DIN 73123	2	2	2	2
12	349.3.10.013.1	CYLINDER BASE FLANGE GASKET (0,5mm thick) (1 HP)	1	1	1	1
12	349.1.10.013.1	CYLINDER BASE FLANGE GASKET (1mm thick) (1,5 HP and 2 HP)	1	1	1	1





Puch 1-speed and 2-speed Maxi USA

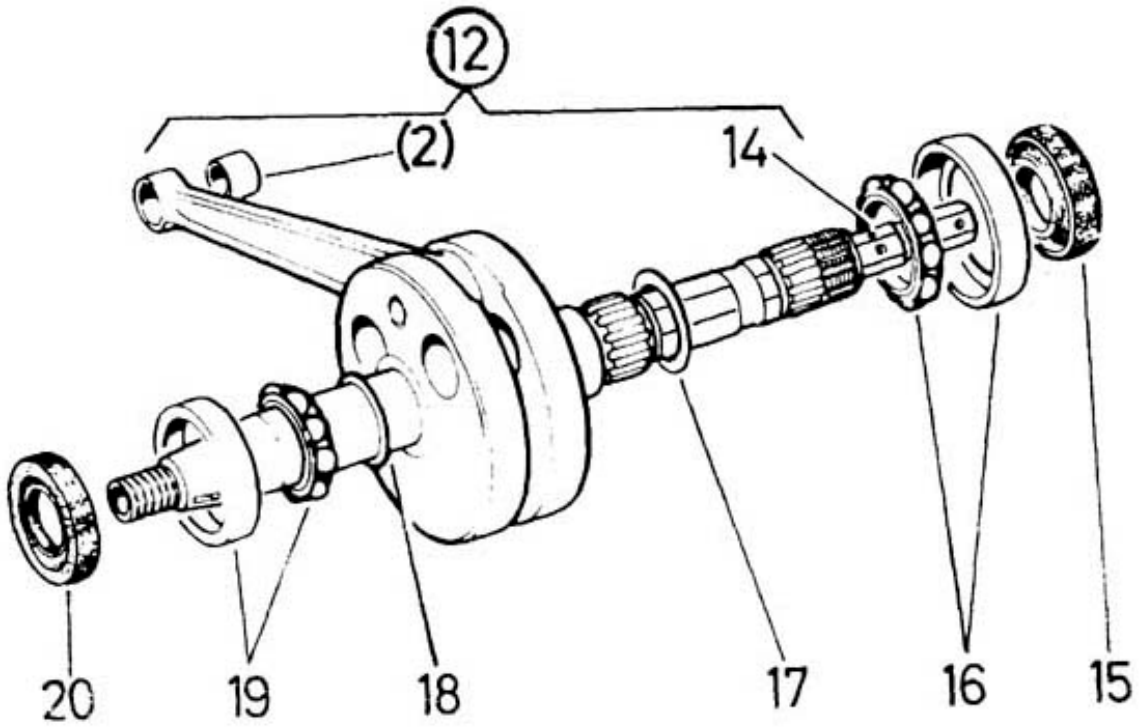
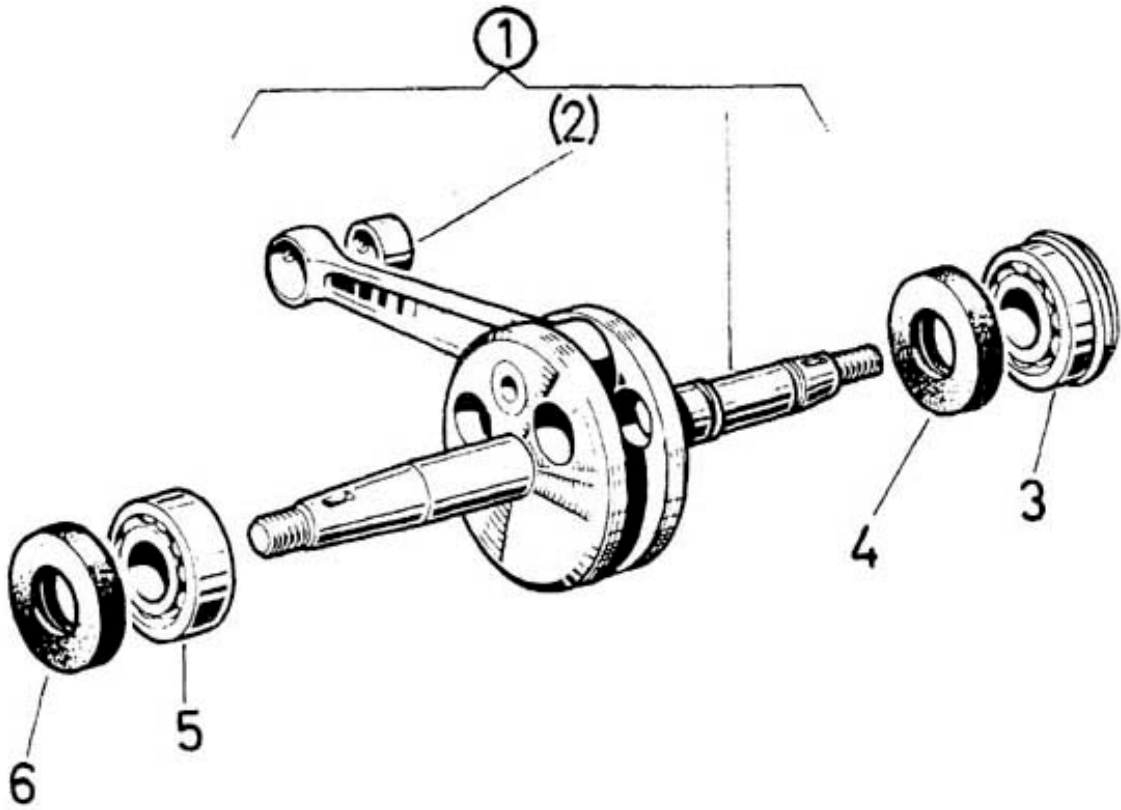
Models

M M S N  
A A P E  
X X O W  
I I R P  
T O  
L / R  
U M T  
X K  
E II II

2. CYLINDER, PISTON (cont.)

Ref.- No.	Part- No.	Description	Required-No.			
21	902.0724	SPARK PLUG (1,5 HP Bosch W7A (W175 T1) and 2 HP)	-	1	1	1
22	349.3.10.401.1	CYLINDER COVER (1,5 HP (black) and 2 HP)	-	1	1	1
23	349.6.10.405.0	CYLINDER compl. (with piston, wrist pin and wire retaining ring) - black (replacement for 349.3.10.405.0) (1,5 HP and 2 HP)	-	1	1	1
24	349.2.10.506.9/11	PISTON compl. ) Ø38, sort.11 ) as required	-	1	1	1
24	349.2.10.506.9/22	PISTON compl. ) Ø38, sort.22 ) replacement for	-	1	1	1
24	349.2.10.506.9/33	PISTON compl. ) Ø38, sort.33 ) 350.3.10.006.9 and 349.3.10.406.9	-	1	1	1
(24)	349.3.10.466.9/03	PISTON compl. ) Ø38,25, sort.1 ) replacement	-	as requd.		
(24)	349.3.10.466.9/04	PISTON compl. ) Ø38,25, sort.2 ) 350.3.10.066.9	-	as requd.		
25	328.1.10.960.1	PISTON RING (L) 38/34,6x2Z-IS1,5- KAR-FK (1,5 HP and 2 HP)	-	1	1	1
(25)	349.1.10.160.3	PISTON RING 38,25/35,25x2Z - FS 2 - ka - ki (as required) (replacement for 350.3.10.160.1)-	-	2	2	2
26	901.1912	FIXING STUD (M6x18) (1,5 HP and 2 HP)	-	4	4	4





Ma/10/7 US

Puch 1-speed and 2-speed Maxi USA

Models

M	M	S	N
A	A	P	E
X	X	O	W
I	I	R	P
		T	O
		L	R
		U	M
		X	K
		E	II
		II	II

2a. CRANKSHAFT

Ref.- No.	Part- No.	Description	Required-No.			
1	349.1.10.115.0	CRANKSHAFT compl. with connecting rod, Ø12	1	1	-	-
2	349.1.10.021.3	BUSH for connecting rod (for repair)	1	1	1	1
3	900.6233	DEEP ROW BALL BEARING 40/17/12 Steyr 6203 ZNR	1	1	-	-
4	902.3835	SEAL RING A22/40/7 FP N 05043	1	1	-	-
5	900.6203	DEEP ROW BALL BEARING 40/17/12 6203 DIN 625	1	1	-	-
6	901.3801	SEAL RING A17/40/7 NB N05043	1	1	-	-
12	321.3.10.615.0	CRANKSHAFT compl. with connecting rod, Ø12, with bevel 1:5	-	-	1	1
14	321.2.12.617.3	BUSH 10,2/8,5/30,5	-	-	1	1
15	900.3829	SEAL RING A20x35x7 NB NO 5043	-	-	1	1
16	900.6237	DEEP ROW BALL BEARING right 20/47/12 E20 DIN 615	-	-	1	1
17 ) 18 )	321.1.10.619.9	SHIM KIT for crankshaft	-	-	1	1
19	900.2.6007	DEEP ROW BALL BEARING left 17/40/10 (row L 17)	-	-	1	1
20	902.3847	SEAL RING left AD17x35x7 NB NO 5043 KA	-	-	1	1



Puch 1-speed and 2-speed Maxi USA

Models

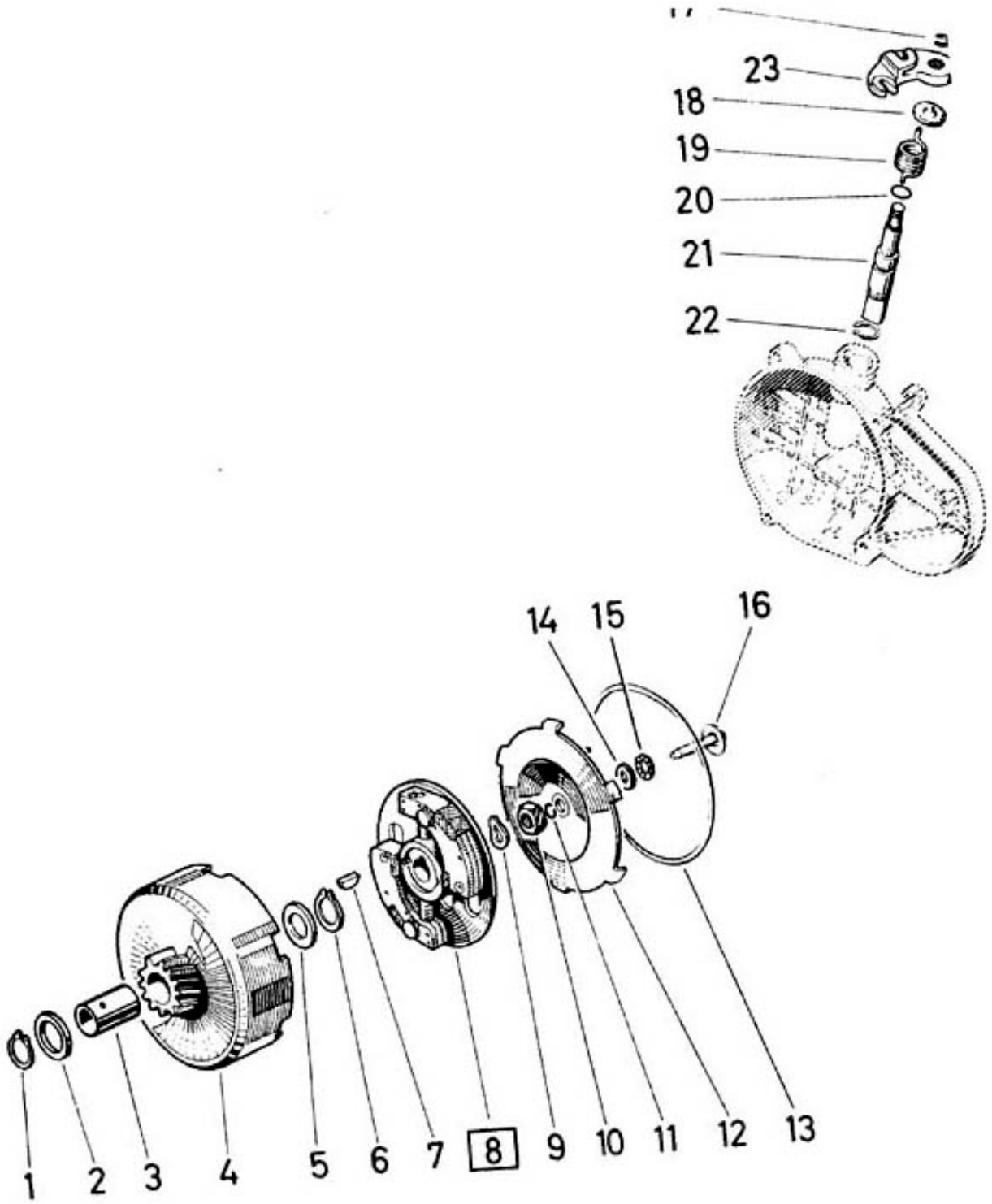
M	M	S	N
A	A	P	E
X	X	O	W
I	I	R	P
		T	O
	L	/	R
	U	M	T
	X	K	
	E	II	II

3. CLUTCH

Ref.- No.	Part- No.	Description	Required-No.			
1	900.4617	CIRCLIP Sg 17x1 DIN 471	1	1	-	-
2	901.3943	WASHER 24/17/1,1 )	1	1	-	-
2	901.3927	WASHER 24/17/1,3 )	1	1	-	-
2	901.3923	WASHER 24/17/1,5 )	1	1	-	-
2	901.3928	WASHER 24/17/1,7 )	1	1	-	-
3	349.2.12.011.1	BEARING BUSHING 17/15/21,5	1	1	-	-
4	349.3.12.102.2	CLUTCH DRUM (21 teeth)	1	1	-	-
5	901.3963	WASHER 22/15/1,1 )	1	1	-	-
5	901.3929	WASHER 22/15/1,3 )	1	1	-	-
5	901.3924	WASHER 22/15/1,5 )	1	1	-	-
5	901.3930	WASHER 22/15/1,7 )	1	1	-	-
5	900.3028	WASHER 22/15/1,8 )	1	1	-	-
5	901.3972	WASHER 22/15/1,85 )	1	1	-	-
5	901.3942	WASHER 22/15/1,9 )	1	1	-	-
5	901.3973	WASHER 22/15/1,95 )	1	1	-	-
5	901.3970	WASHER 22/15/2 )	1	1	-	-
5	901.3949	WASHER 22/15/2,1 )	1	1	-	-
5	901.3971	WASHER 22/15/2,2 )	1	1	-	-







Ma/12/3

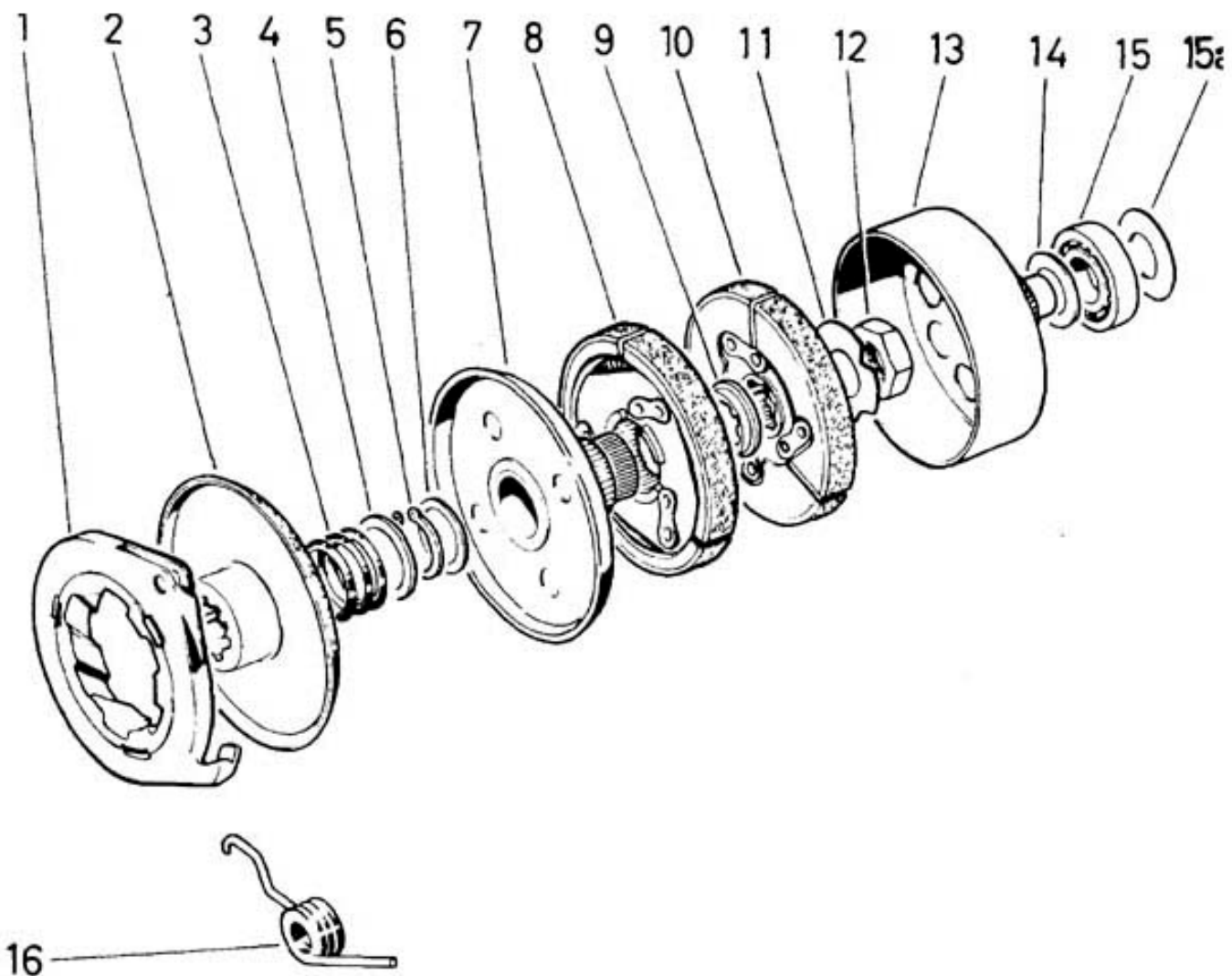
Puch 1-speed and 2-speed Maxi USA

Models			
M	M	S	N
A	A	P	E
X	X	O	W
I	I	R	P
		T	O
		L	R
		U	M
		X	K
		E	II
		II	II

3. CLUTCH (cont.)

Ref.- No.	Part- No.	Description	Required-No			
6	900.4619	CIRCLIP Sg 15x1 DIN 471	1	1	-	-
7	23340	WOODRUFF KEY 3x5 DIN 6888	1	1	-	-
8	349.1.12.504.0	CLUTCH HUB compl.	1	1	-	-
9	900.3210	SPRING WASHER B10 DIN 137	1	1	-	-
10	900.2011	HEXAGON NUT M10x1 DIN 934-8	1	1	-	-
11	900.4635	SPRING RING 5 DIN 9045	1	1	-	-
12	349.1.12.008.1	CLUTCH COVER	1	1	-	-
13	349.1.12.009.1	RETAINING SPRING	1	1	-	-
14	349.1.12.015.1	THRUST WASHER 15/5/1	1	1	-	-
15	900.6840	AXIAL NEEDLE BEARING 6,4x17,2x1,984	1	1	-	-
16	349.1.12.014.1	THRUST BOLT, 25 long	1	1	-	-
17	900.4606	BZ-CIRCLIP 6 DIN 6799	1	1	-	-
18	050.1221	RUBBER WASHER 20/7,8/2	1	1	-	-
19	349.3.12.022.1	RETURN SPRING	1	1	-	-
20	900.3793	RUBBER SEAL 9,3x2,4 DIN 3770	1	1	-	-
21	349.3.12.028.1	DECLUTCHING SHAFT, Ø14	1	1	-	-
22	900.4766	C-RING H14x1	1	1	-	-
23	349.1.12.331.1	DECLUTCHING LEVER	1	1	-	-





Ma/12/4 US.

Puch 1-speed and 2-speed Maxi USA

Models

M	M	S	N
A	A	P	E
X	X	O	W
I	I	R	P
		T	O
	L	/	R
	U	M	T
	X	K	
	E	II	II

3a. CLUTCH  
for 2-speed Automatic-models

Ref.- No.	Part- No.	Description	Required-No.			
1	321.1.12.645.0	ENGAGING PLATE compl.	-	-	1	1
2	321.1.12.640.2	STARTER PLATE	-	-	1	1
3	321.1.12.625.1	THRUST SPRING 30 long	-	-	1	1
4	321.1.12.614.1	WASHER 30,5/16,8/1	-	-	1	1
5	900.4617	CIRCLIP 17x1 DIN 471	-	-	1	1
6	337.1.13.175.1	THRUST WASHER 24/17/1	-	-	1	1
7	321.3.12.612.0	DRIVING PLATE compl. (20 teeth) replacement for 321.1.12.612.0 (1 HP)	-	-	1	1
7	321.4.12.612.0	DRIVING PLATE compl. (22 teeth) replacement (1,5 HP for 321.2.12.612.0 and 2 HP)	-	-	1	1
8	321.3.12.630.2	CLUTCH for 2nd speed replacement for 320.3.12.330.2 (1 HP and 1,5 HP)	-	-	1	1
8	321.4.12.630.2	CLUTCH for 2nd speed replacement for 321.1.12.630.2 (2 HP)	-	-	1	1
9	321.1.12.616.1	SPACER 28/23/5	-	-	1	1
10	321.2.12.620.2	CLUTCH for 1st speed replacement for 321.1.12.620.2	-	-	1	1
11	321.1.12.628.1	LOCKING WASHER	-	-	1	1
12	902.2922	HEXAGON NUT (M16x1,5) SW 24, 6,5 high	-	-	1	1



Puch 1-speed and 2-speed Maxi USA

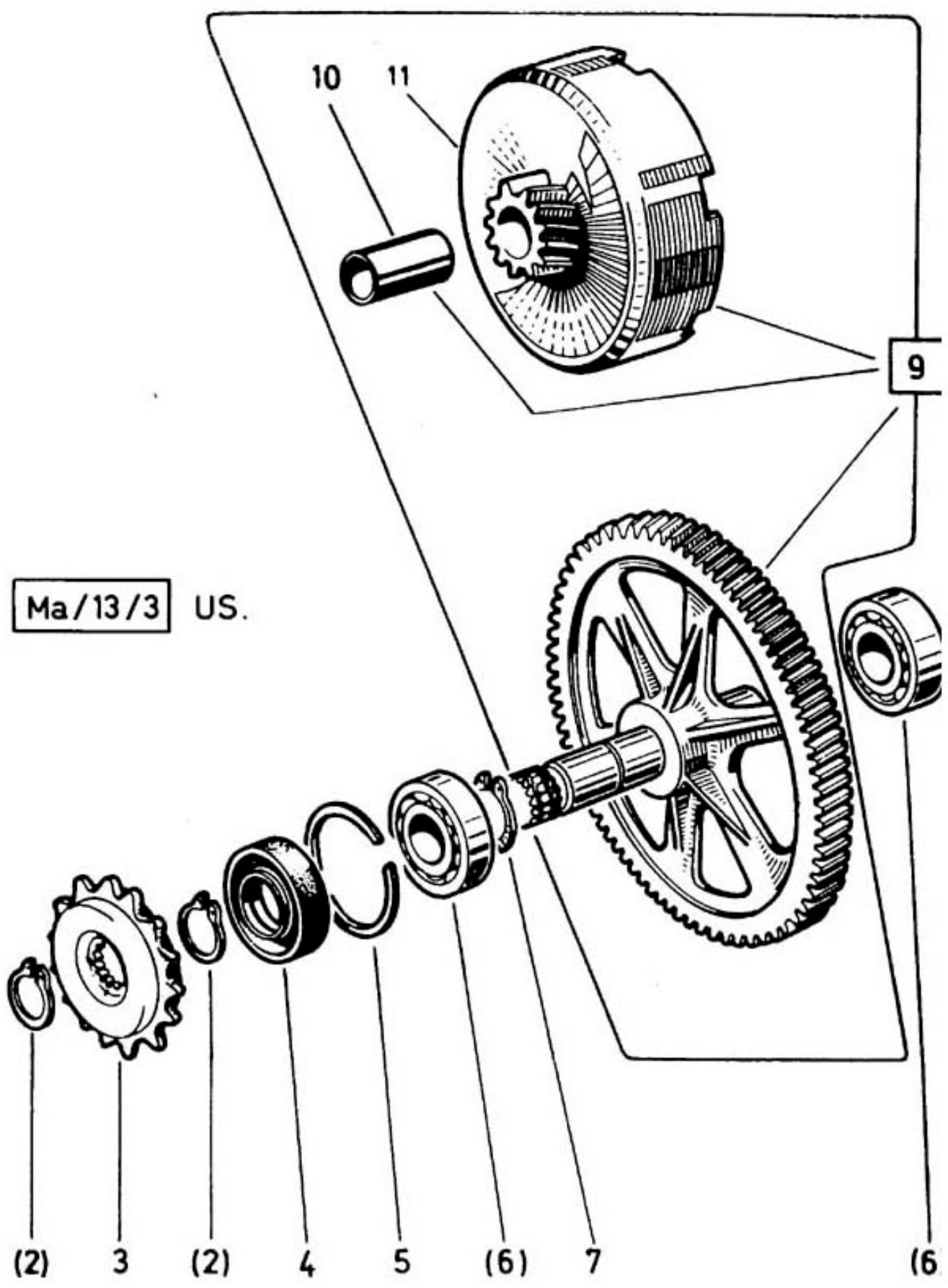
Models			
M	M	S	N
A	A	P	E
X	X	O	W
I	I	R	P
		T	O
	L	/	R
	U	M	T
	X	K	
	E	II	II
Required-No.			

3a. CLUTCH (cont.)  
for 2-speed Automatic-models

Ref.- No.	Part- No.	Description	Required-No.			
13	321.3.12.602.2	CLUTCH DRUM (13 teeth) (1 HP)	-	-	1	1
13	321.4.12.602.2	CLUTCH DRUM (16 teeth) (1,5 HP and 2 HP)	-	-	1	1
14	321.1.13.627.9	SHIM KIT for clutch drum	-	-	1	1
15	900.6186	BALL BEARING 15/32/9 DIN 625	-	-	1	1
15a	321.1.10.637.1	WASHER 31,5/6/0,2	-	-	1	1
16	321.1.12.646.1	RETURN SPRING	-	-	1	1



Ma/13/3 US.



Puch 1-speed and 2-speed Maxi USA

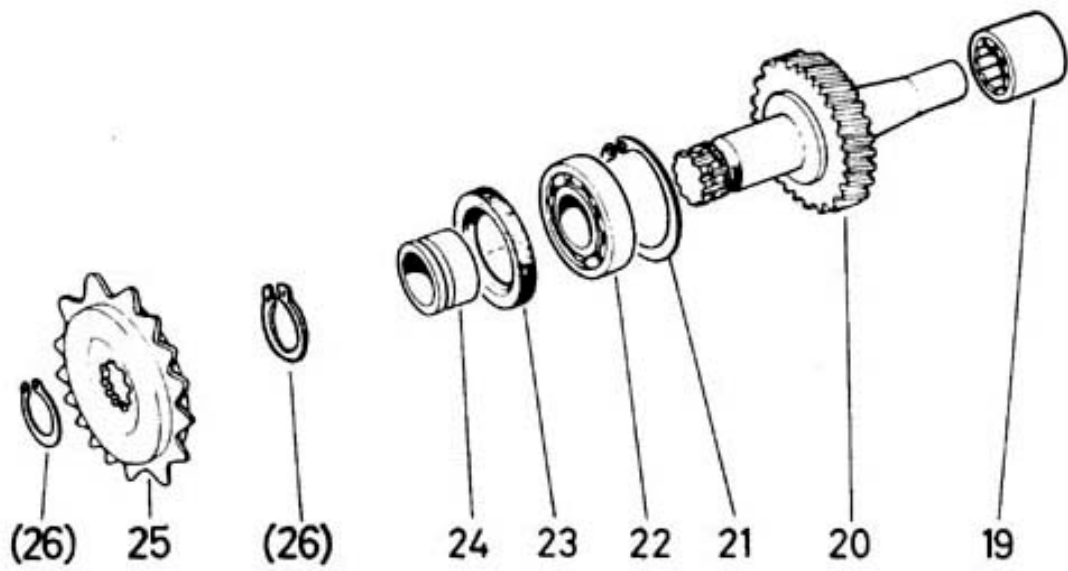
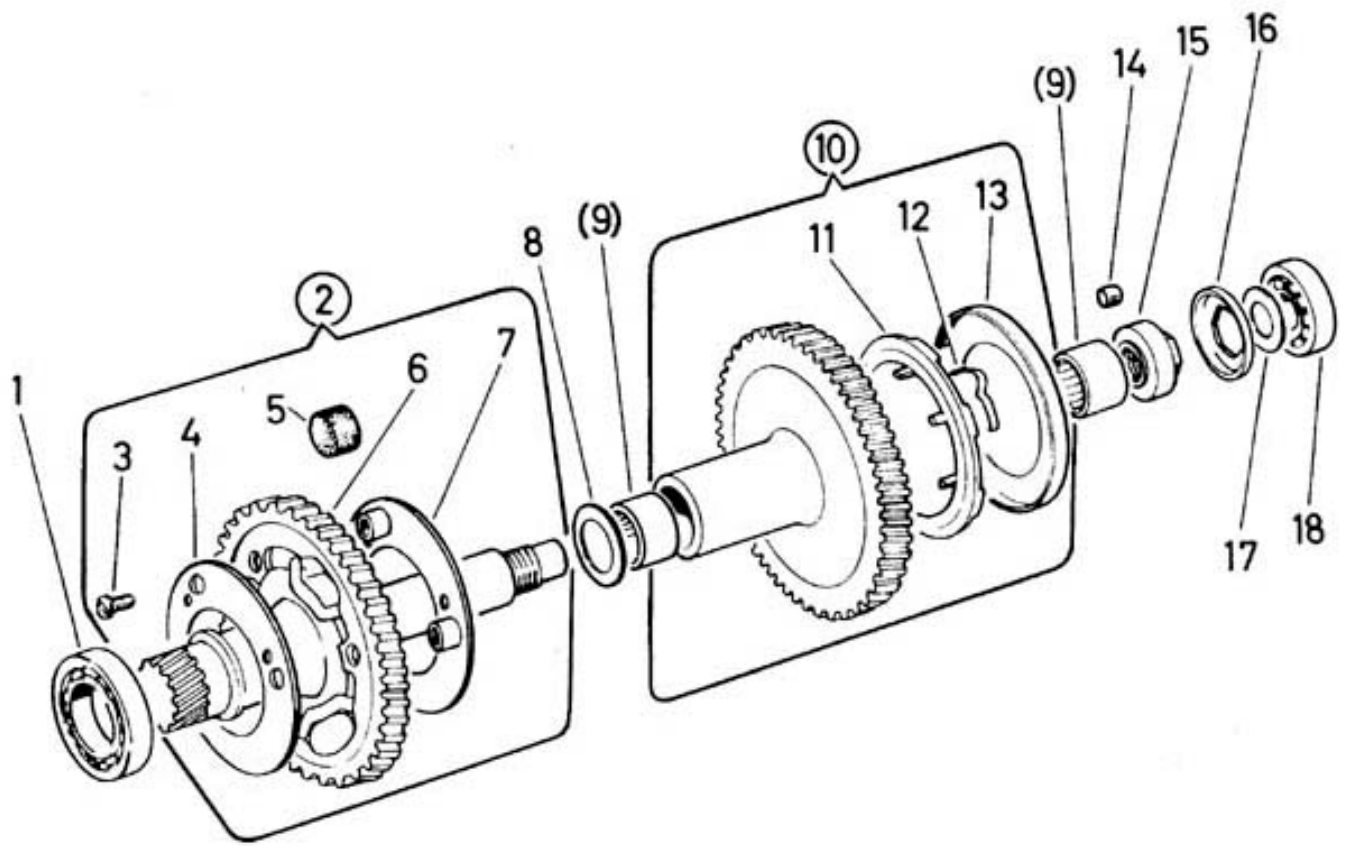
Models

M	M	S	N
A	A	P	E
X	X	O	W
I	I	R	P
		T	O
	L	/	R
	U	M	T
	X	K	
	E	II	II

4. GEARBOX

Ref.- No.	Part- No.	Description	Required-No.			
2	900.4616	SNAP RING Sg 16x1 DIN 471	2	2	-	-
3	050.1316	GEARBOX CHAIN SPROCKET (11 teeth) as required (1 HP)	1	1	-	-
3	349.1.13.113.2	GEARBOX CHAIN SPROCKET (13 teeth) (1 HP)	1	1	-	-
3	349.1.13.114.2	GEARBOX CHAIN SPROCKET (14 teeth) (1,5 HP)	1	-	-	-
3	349.1.13.115.2	GEARBOX CHAIN SPROCKET (15 teeth) (1,5 HP)	-	1	-	-
3	349.1.13.116.2	GEARBOX CHAIN SPROCKET (16 teeth) (2 HP)	1	1	-	-
4	901.3801	SEAL RING A 17/40/7 NB N05043	1	1	-	-
5	901.4656	RETAINING RING SP 40 DIN 5417	2	2	-	-
6	900.6203	DEEP ROW BALL BEARING 40/17/12 6203 DIN 625	1	1	-	-
7	900.4617	SNAP RING Sg 17x1 DIN 471	1	1	-	-
9	349.3.13.120.0	PRIMARY DRIVE compl. (21, 106 teeth) (consisting of clutch drum, bearing bush and gearshaft with pressed-on gear wheel)	1	1	-	-
10 )	)	see group 3.CLUTCH	-	-	-	-
11 )	)					







run 1-speed and 2-speed Maxi USA

Ref.- No.	Part- No.	Description	Models			
			M	M	S	N
		4a. GEARBOX for 2-speed Automatic-models	X	X	O	W
			I	I	R	P
					T	O
				L	/	R
				U	M	T
				X	K	
				E	II	II
			Required-No.			
1	900.6005	BALL BEARING 25/47/12 DIN 625	-	-	1	1
2	321.1.13.704.0	MAIN SHAFT (14 and 66 teeth) (1 HP)	-	-	1	1
2	321.2.13.704.0	MAIN SHAFT (14 and 64 teeth) (1,5 HP and 2 HP)	-	-	1	1
3	900.9308	COUNTERSUNK SCREW M6x10 DIN 965	-	-	3	3
4	321.1.13.706.1	SECURING PLATE l.h. no thread 76/35/1,5	-	-	1	1
5	321.1.13.703.1	PLASTIC DAMPER Ø20	-	-	3	3
6	321.1.13.704.1	GEAR 2nd speed (66 teeth) (1 HP)	-	-	1	1
6	321.2.13.704.1	GEAR 2nd speed (64 teeth) (1,5 HP and 2 HP)	-	-	1	1
7	321.1.13.707.2	SECURING PLATE r.h. with thread 76/35/7,5	-	-	1	1
8	321.1.13.624.1	THRUST WASHER 27,8/16/1	-	-	1	1
9	900.6884	NEEDLE BEARING (16x22x12 Torrington)	-	-	2	2
10	321.1.13.600.2	GEAR 1st speed (73 teeth, with parts 11-13) (1 HP)	-	-	1	1
10	321.2.13.600.2	GEAR 1st speed (70 teeth, with parts 11-13) (1,5 HP and 2 HP)	-	-	1	1
11	321.1.13.652.1	SPRING AND ROLLER CAGE	-	-	1	1
12	321.1.13.650.1	SPRING	-	-	7	7
13	321.1.13.649.1	COVER	-	-	1	1



Puch 1-speed and 2-speed Maxi USA

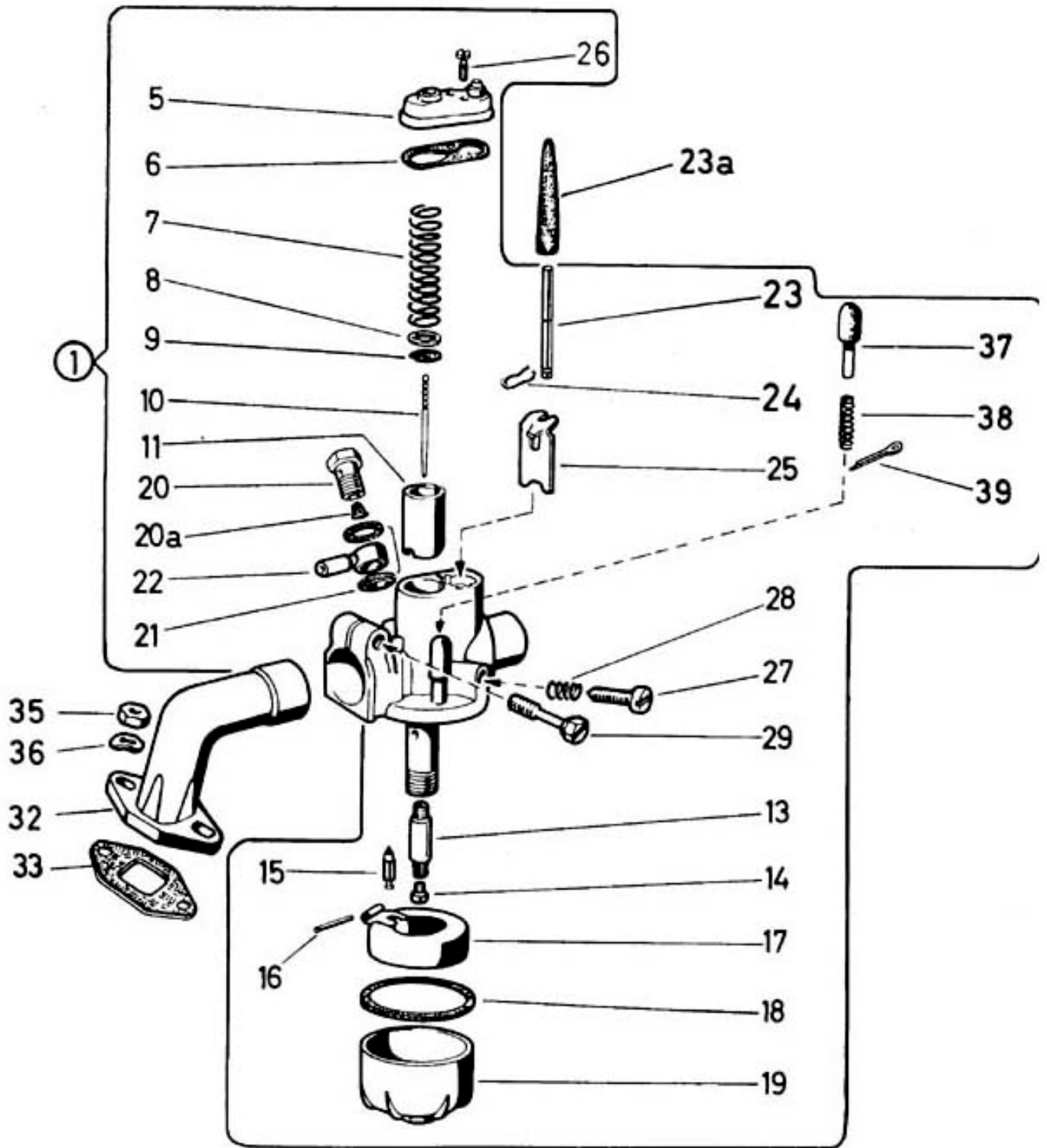
Models

M	M	S	N
A	A	P	E
X	X	O	W
I	I	R	P
		T	O
		L	R
		U	M
		X	K
		E	II
		II	II

4a. GEARBOX (cont.)  
for 2-speed Automatic models

Ref.- No.	Part- No.	Description	Required-No.			
14	900.6129	ROLLER 8x8 DIN 5402	-	-	7	7
15	321.1.13.651.1	ROLLER RETAINING Ø24	-	-	1	1
	( 321.5.13.647.1	THRUST PLATE 4,2 thick )	-	-	1	1
	( 321.1.13.647.1	THRUST PLATE 4,4 thick )	-	-	1	1
	( 321.2.13.647.1	THRUST PLATE 4,6 thick )	-	-	1	1
16	( 321.3.13.647.1	THRUST PLATE 4,8 thick )	-	-	1	1
	( 321.4.13.647.1	THRUST PLATE 5 thick )	-	-	1	1
	( 321.6.13.647.1	THRUST PLATE 5,2 thick )	-	-	1	1
17	321.1.13.637.9	SHIM KIT for 1st speed	-	-	1	1
18	900.6239	BALL BEARING 10/28/8	-	-	1	1
19	900.6888	NEEDLE BEARING 12,7x17,46x14,88 Torrington) (replacement for 900.6885)	-	-	1	1
20	321.2.13.620.2	DRIVE SHAFT (replacement for 321.1.13.620.2)-	-	-	1	1
21	900.4740	CIRCLIP 40x1,75 DIN 472	-	-	1	1
22	900.6203	BALL BEARING 17/40/12 DIN 625	-	-	1	1
23	902.3816	SEAL 35/25/7	-	-	1	1
24	321.2.13.623.1	SLEEVE 25/17/13,6 (replacement for 321.1.13.623.1)-	-	-	1	1
25	349.1.13.118.2	GEARBOX CHAIN SPROCKET (18 teeth)	-	-	1	1
26	900.4616	CIRCLIP 16x1 DIN 471	-	-	2	2





Ma/15/3 US.

Puch 1-speed and 2-speed Maxi USA

Models			
M	M	S	N
A	A	P	E
X	X	O	W
I	I	R	P
		T	O
		L	R
		U	M
		X	K
		E	II
		II	II

5. CARBURETOR

Ref.- No.	Part- No.	Description	Required-No.			
1	349.4.15.400.0	CARBURETOR compl. (Bing 1/12/294) (1 HP)	1	1	-	-
1	349.8.15.400.0	CARBURETOR compl. (Bing 1/12/300) (1 HP)	-	-	1	1
1	349.3.15.400.0	CARBURETOR compl. (Bing 1/12/293) (1,5 HP)	1	-	-	-
1	349.6.15.700.0	CARBURETOR compl. (Bing 1/12/309) (1,5 HP)	-	1	-	-
1	349.8.15.700.0	CARBURETOR compl. (Bing 1/12/321) (1,5 HP)	-	-	1	1
1	349.8.15.500.0	CARBURETOR compl. (Bing 1/14/160) (2 HP)	1	-	-	-
1	349.2.15.700.0	CARBURETOR compl. (Bing 1/12/307) (2 HP)	-	1	-	-
1	349.3.15.800.0	CARBURETOR compl. (Bing 1/12/314) (2 HP)	-	-	1	1
5	349.1.15.019.1	CARBURETOR COVER	1	1	1	1
6	349.1.15.029.1	GASKET for carburetor cover	1	1	1	1
7	362.2.15.031.1	THRUST SPRING for throttle slide (reinforced)	1	1	1	1
8	362.1.15.014.1	DISC Ø13x0,5	1	1	1	1
9	362.1.15.013.1	CLAMP SPRING	1	1	1	1
10	330.1.15.016.1	JET NEEDLE (36,5 long, with 2 grooves) (1 HP and 1,5 HP) (2 HP)	1	1	1	1
			-	1	1	1
10	364.4.15.516.1	JET NEEDLE (36,5 long) (2 HP)	1	-	-	-
11	349.1.15.015.1*	THROTTLE SLIDE No.24 (1 HP) (1,5 HP) (2 HP)	1	1	-	-
			1	-	-	-
			1	1	1	1



Puch 1-speed and 2-speed Maxi USA

Models			
M	M	S	N
A	A	P	E
X	X	O	W
I	I	R	P
		T	O
	L	/	R
	U	M	T
	X	K	
	E	II	II

5. CARBURETOR (cont.)

Ref.- No.	Part- No.	Description		Required-No.			
11	349.1.15.015.1*	THROTTLE SLIDE No.51	(1 HP) (1,5 HP)	-	-	1	1
13	349.1.15.008.1/22	NEEDLE JET No.2,22	(1 HP) (1,5 HP) (2 HP)	1	1	-	-
13	349.1.15.008.1/12	NEEDLE JET No.2,12 A	(1 HP) (1,5 HP)	-	-	1	1
14	362.1.15.009.1/52	MAIN JET No.52	(1 HP)	1	1	-	-
14	362.1.15.009.1/48	MAIN JET No.48	(1 HP) (1,5 HP)	-	-	1	1
14	362.1.15.009.1/50	MAIN JET No.50	(1,5 HP)	-	-	1	1
14	362.1.15.009.1/60	MAIN JET No.60	(1,5 HP)	1	-	-	-
14	362.1.15.009.1/58	<u>MAIN JET No.58</u>	(2 HP)	-	1	-	-
14	362.1.15.009.1/56	<u>MAIN JET No.56</u>	(2 HP)	-	-	1	1
14	362.1.15.009.1/64	MAIN JET No.64	(2 HP)	1	-	-	-
14	362.1.15.009.1/...*	MAIN JET No...*		-	-	-	-
15	362.2.15.026.2	FLOAT NEEDLE (with Viton Tip)		1	1	1	1
16	362.1.15.027.1	PIN for ring float (Ø1,5x17)		1	1	1	1
17	362.2.15.025.2	RING FLOAT		1	1	1	1
18	362.1.15.028.1	GASKET 45/41/1,5 for float		1	1	1	1
19	362.1.15.024.1	FLOAT		1	1	1	1
20	320.1.15.039.1	FIXING SCREW		1	1	1	1
20a	362.1.15.037.2	SIEVE		1	1	1	1

\*Please indicate engraved number



Puch 1-speed and 2-speed Maxi USA

Ref.- No.	Part- No.	Description	Models			
			M	M	S	N
		5. CARBURETOR (cont.)	A	A	P	E
			X	X	O	W
			I	I	R	P
					T	O
				L	/	R
				U	M	T
				X	K	
				E	II	II
			Required-No.			
21	900.3702	FIBRE WASHER A8x12 DIN 7603	2	2	2	2
22	320.1.15.038.1	HOSE SWIVEL CONNECTOR	1	1	1	1
23	349.2.15.063.1	THRUST PIN for start slide (1HP and 1,5 HP) (2 HP)	1	1	1	1
			-	1	1	1
23	349.1.15.063.1	THRUST PIN for start slide (2 HP)	1	-	-	-
23a	349.1.15.047.1	LENGTHENING	1	1	1	1
24	362.1.15.064.1	CLAMP SPRING for pressure pin	1	1	1	1
25	349.1.15.065.1	START SLIDE	1	1	1	1
26	050.1535	HEAD SCREW (for carburetor cover)	2	2	2	2
27	349.1.15.011.1	ADJUSTING SCREW for throttle slide	1	1	1	1
28	349.1.15.012.1	THRUST SPRING for adjusting screw	1	1	1	1
29	349.1.15.013.1	CLAMP SCREW (M6)	1	1	1	1
32	349.2.15.330.1	CARBURETOR CONNECTING SLEEVE (Ø12) (replacement for 349.2.15.130.1) (1 HP and 1,5 HP)	1	1	-	-
32	349.1.15.330.1	CARBURETOR CONNECTING SLEEVE (Ø14) (replacement for 349.1.15.130.1) (2 HP)	1	1	-	-
32	321.4.15.630.1	CARBURETOR CONNECTING SLEEVE (Ø12) (1 HP and 1,5 HP)	-	-	1	1
32	321.3.15.630.1	CARBURETOR CONNECTING SLEEVE (Ø14) (2 HP)	-	-	1	1



Puch 1-speed and 2-speed Maxi USA

Models			
M	M	S	N
A	A	P	E
X	X	O	W
I	I	R	P
		T	O
		L	/
		U	M
		X	K
		E	II
		II	II

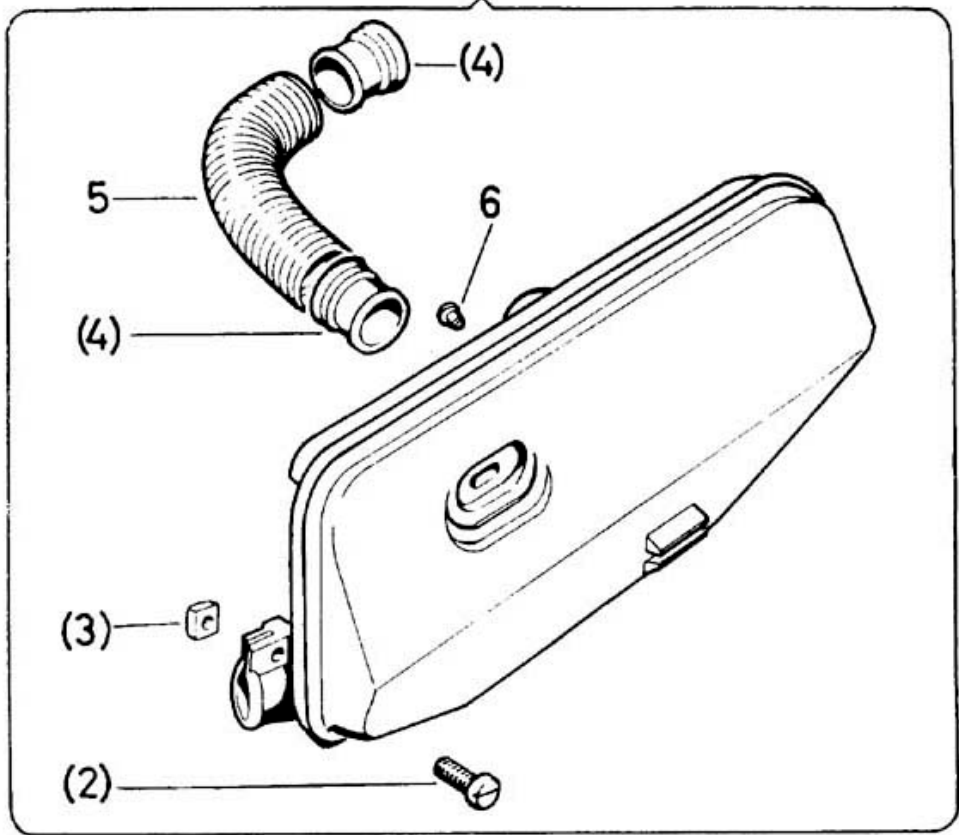
5. CARBURETOR (cont.)

Ref.- No.	Part- No.	Description	Required-No.			
33	349.1.15.122.1*	PAPER GASKET (hard paper 0,5mm thick) (1 HP) (1,5 HP and 2 HP)	1	1	1	1
			1	-	-	-
(33)	349.2.15.122.1**	PAPER GASKET (hard paper 0,5mm thick) (1,5 HP) and 2 HP)	-	1	1	1
35	24773	HEXAGON NUT M6 DIN 934	2	2	2	2
36	900.3212	CURVED WASHER A6 DIN 137	2	2	2	2
37	328.1.15.036.2	PRESSURE (with plastic-cap)	1	1	1	1
38	364.1.15.033.1	SPRING FOR PRESSURE	1	1	1	1
39	364.1.15.034.1	SPLIT PIN	1	1	1	1

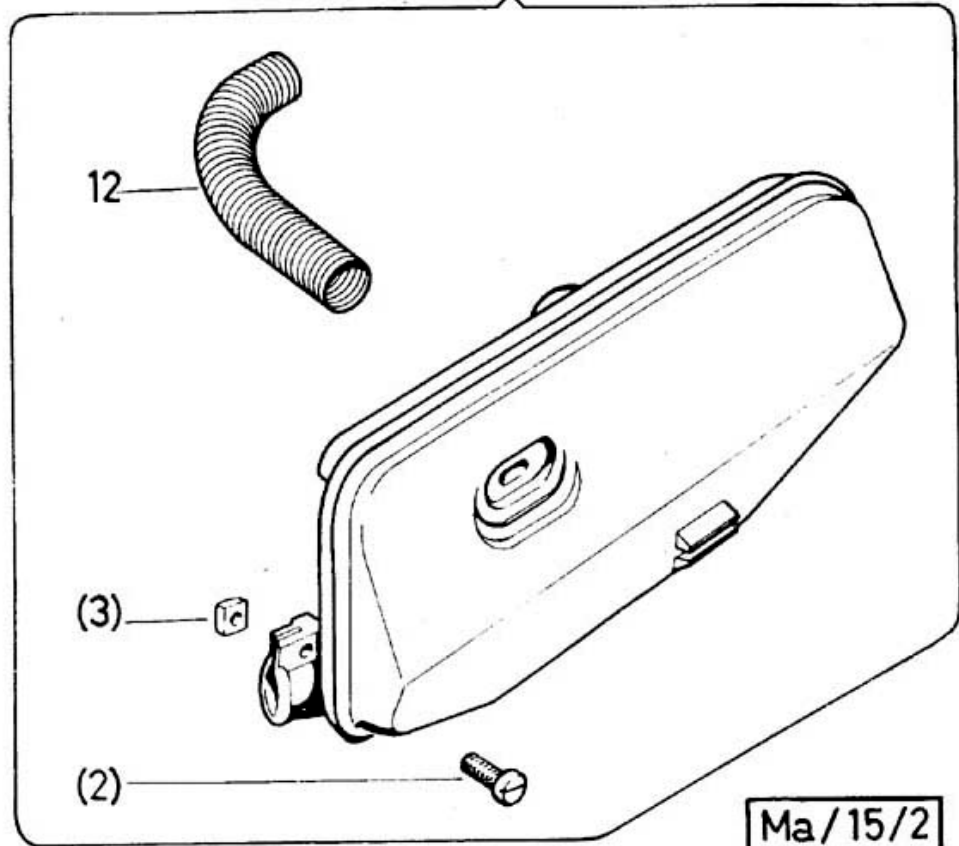
\*for Alu-Chr.Cylinder  
\*\*for Hi Torque-Cylinder



1



11





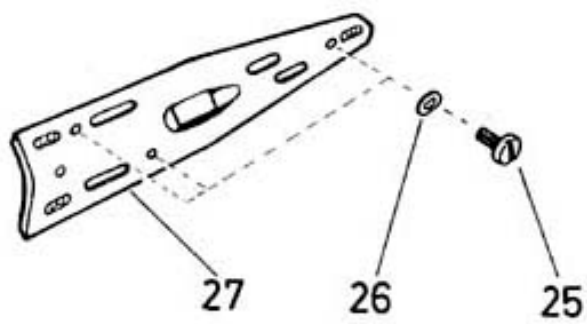
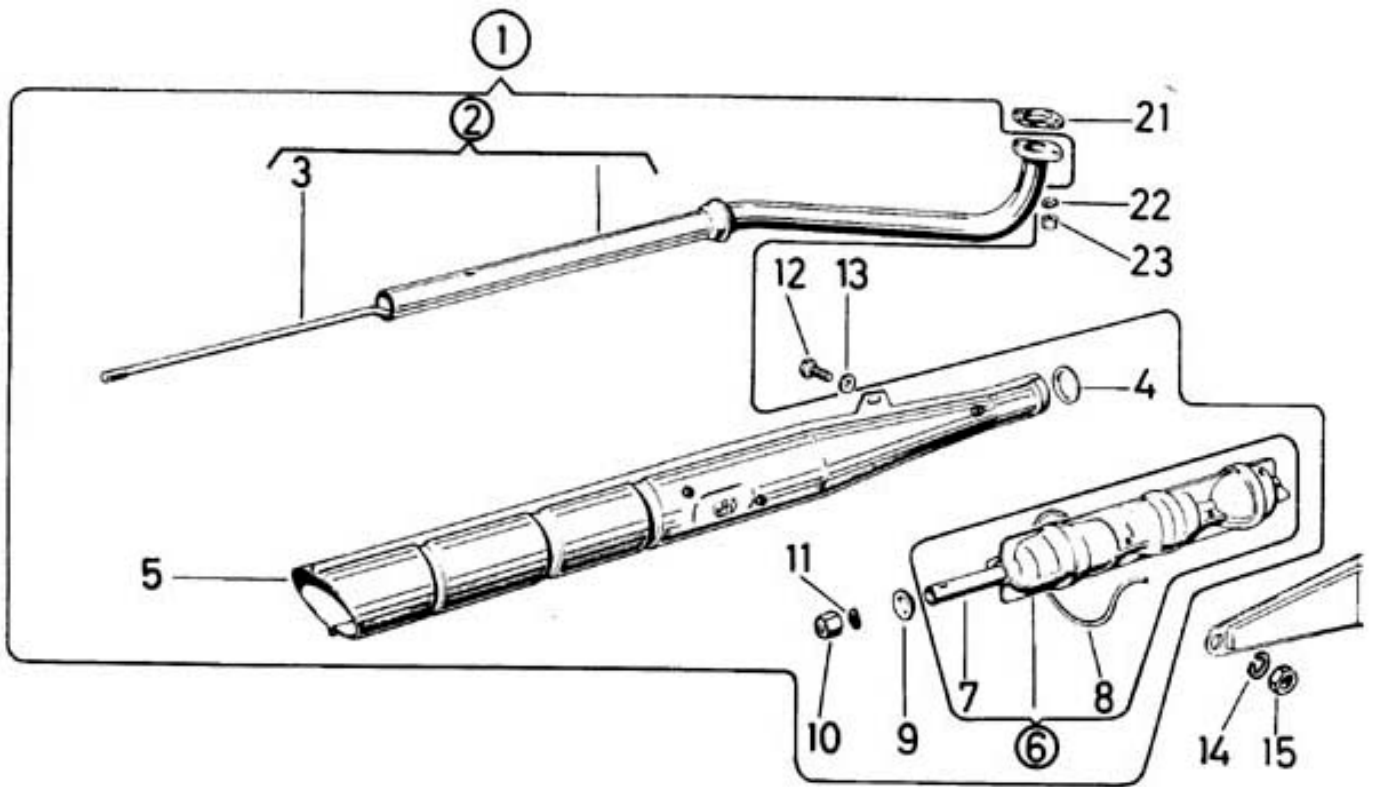
Puch 1-speed and 2-speed Maxi USA

Models			
M	M	S	N
A	A	P	E
X	X	O	W
I	I	R	P
		T	O
	L	/	R
	U	M	T
	X	K	
	E	II	II

6. AIR FILTER ASSEMBLY

Ref.- No.	Part- No.	Description	Required-No.			
1	349.3.15.070.0	AIR FILTER ASSEMBLY compl. (with parts 2-6) (1 HP and 1,5 HP)	1	1	1	1
2	900.1320	CHEESE HEAD SCREW M6x20 DIN 84	1	1	1	1
3	900.2206	SQUARE NUT M6 DIN 557	1	1	1	1
4	349.1.15.074.1	ORIFICE for air filter assembly )	2	2	2	2
5	349.3.15.073.1	INTAKE TUBE ) (1 HP and 1,5 HP) (Ø28,5/24x130) )	1	1	1	1
6	367.1.30.004.1	PLUG )	1	1	1	1
11	349.1.15.070.0	AIR FILTER ASSEMBLY compl.) (with parts 2,3 and 12) )	1	1	1	1
12	349.1.15.073.1	INTAKE TUBE ) (2 HP) (Ø19/15x80) )	1	1	1	1





Ma/16/4 US.

Puch 1-speed and 2-speed Maxi USA

Models			
M	M	S	N
A	A	P	E
X	X	O	W
I	I	R	P
		T	O
	L	/	R
	U	M	T
	X	K	
	E	II	II
Required-No			

7. EXHAUST

Ref.- No.	Part- No.	Description				
1	349.4.16.800.0	EXHAUST compl. (1 HP)	1	1	-	-
1	321.2.16.500.0	EXHAUST compl. (1 HP)	-	-	1	1
1	349.5.16.800.0	EXHAUST compl. (1,5 HP)	1	-	-	-
1	349.7.16.800.0	EXHAUST compl. (1,5 HP)	-	1	-	-
1	321.3.16.500.0	EXHAUST compl. (1,5 HP)	-	-	1	1
1	349.6.16.800.0	EXHAUST compl. (2 HP)	1	1	-	-
1	321.4.16.500.0	EXHAUST compl. (2 HP)	-	-	1	1
2	349.4.16.001.2	EXHAUST PIPE (with part 3) (1 HP)	1	1	-	-
2	321.5.16.601.2	EXHAUST PIPE (with part 3) (1 HP)	-	-	1	1
2	349.1.16.801.2	EXHAUST PIPE (with part 3) (1,5 HP)	1	-	-	-
2	349.8.16.001.2	EXHAUST PIPE (with part 3) (1,5 HP)	-	1	-	-
2	321.6.16.601.2	EXHAUST PIPE (with part 3) (1,5 HP)	-	-	1	1
2	349.6.16.001.2	EXHAUST PIPE (with part 3) (2 HP)	1	1	-	-
2	321.4.16.601.2	EXHAUST PIPE (with part 3) (2 HP)	-	-	1	1
3	349.3.16.014.1	PULL ROD (M7, 295 long)	1	1	1	1
4	349.1.16.019.1	GASKET 34/26/2	1	1	1	1
5	349.2.16.500.2	SILENCER COVER	1	1	1	1
6	349.1.16.011.9	DAMPING INSERT compl. (with parts 7 and 8)	1	1	1	1



Puch 1-speed and 2-speed Maxi USA

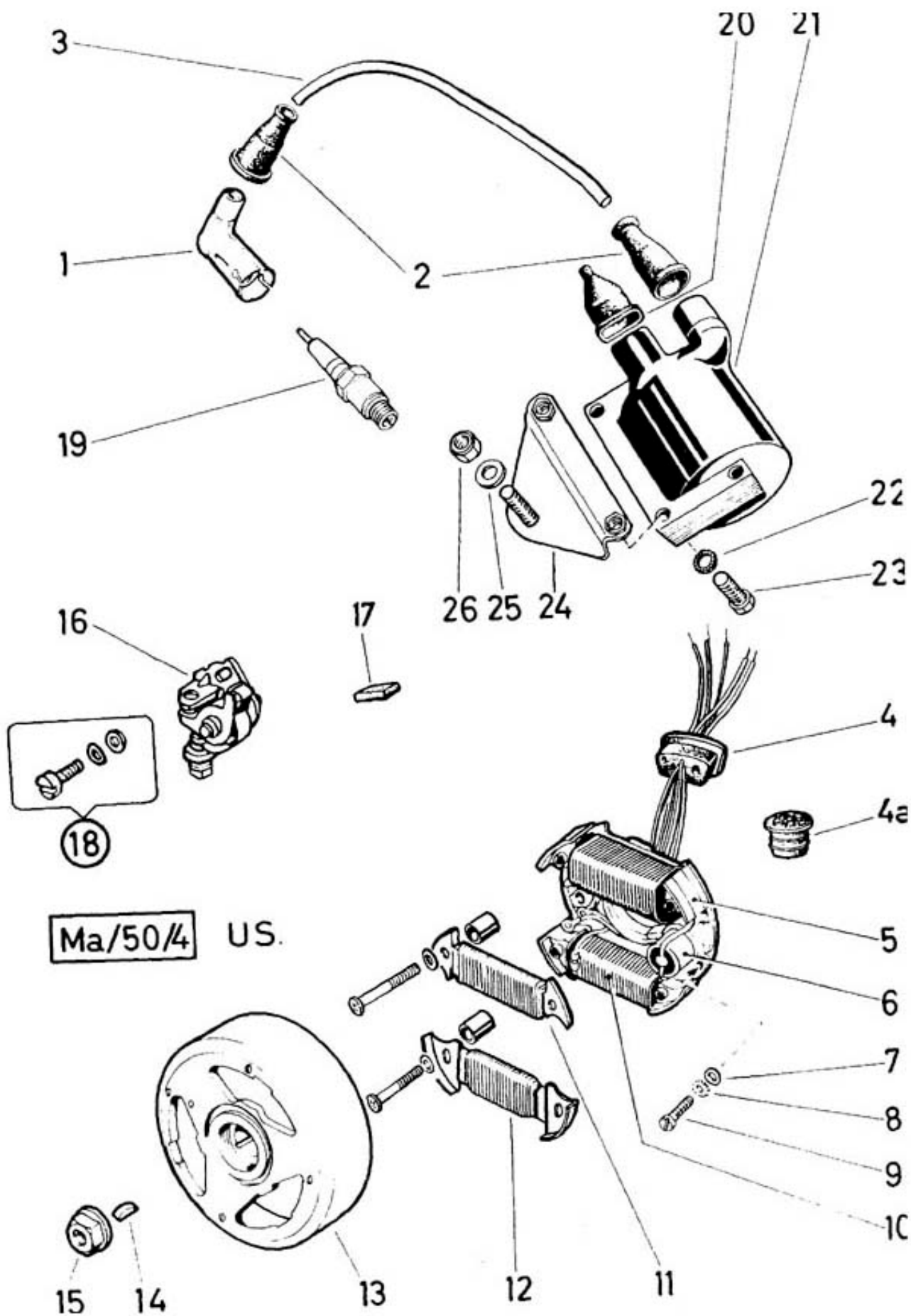
Models

M	M	S	N
A	A	P	E
X	X	O	W
I	I	R	P
		T	O
	L	/	R
	U	M	T
	X	K	
	E	II	II

7. EXHAUST (cont.)

Ref.- No.	Part- No.	D e s c r i p t i o n	Required-No.			
7	349.1.16.013.1	END PIPE	1	1	1	1
8	253.1635/07	ASBESTOS CORD Ø3x165 per meter	-	-	-	-
9	349.1.16.018.1	WASHER 16/7,5/3	1	1	1	1
10	900.2975	HEXAGON NUT (self-locking)	1	1	1	1
11	900.3207	SPRING WASHER A7 DIN 137	1	1	1	1
12	26422	HEXAGON HEAD SCREW M7x16 DIN 933-8.8	1	1	1	1
13	24796	PLAIN WASHER 7,4 DIN 125	1	1	1	1
14	29189	SPRING WASHER B7 DIN 127	1	1	1	1
15	24774	HEXAGON NUT M7 DIN 934	1	1	1	1
21	050.1615	EXHAUST-FLANGE GASKET	1	1	1	1
22	900.3213	SPRING WASHER B6 DIN 137	2	2	2	2
23	902.2919	HEXAGON NUT (M6, BRASS)	2	2	2	2
27	321.3.16.020.1	HEAT SHIELD	1	1	1	1
25	1426/E1	CHEESE HEAD SCREW M5x8 DIN 84 (black)	3	3	3	3
26	900.3217	SPRING WASHER B5 DIN 137	3	3	3	3





Puch 1-speed and 2-speed Maxi USA

Ref.- No.	Part- No.	Description	Models			
			M A X I	M A P E	S P E C I A L U M K E I I	N E W P O R T R E Q U I R E D
8. MAGNETO GENERATOR						
--	349.3.50.800.0	MAGNETO GENERATOR ASSY (Bosch 0 212 124 043 RDP 1 (R) 6V 26-5/10W)	1	1	-	-
--	321.1.50.800.0	MAGNETO GENERATOR ASSY (Bosch 0 212 124 044 6V 26-5/10W)	-	-	1	1
1	325.1.52.005.0	SPARK PLUG PROTECTOR	1	1	1	1
2	700.1.09.006.1	PROTECTION CAP (Bosch 1 230 522 011)	2	2	2	2
3	900.0717/07	IGNITION CABLE (220mm)per meter	1	1	-	-
3	900.0717/07	IGNITION CABLE (600mm)per meter	-	-	1	1
4	349.2.10.810.1	RUBBER SOCKET	1	1	-	-
4a	321.1.10.610.1	RUBBER SOCKET	-	-	1	1
5	349.3.50.812.2	IGNITION ARMATURE (Bosch 1 214 210 554)	1	1	1	1
6	364.4.50.513.2	CONDENSER (Bosch 1 237 330 035)	1	1	1	1
7	901.3941	WASHER 8/4,2/1	3	3	3	3
8	900.3253	SERRATED LOCK WASHER J4,3 DIN 6798	3	3	3	3
9	27458	PAN HEAD SCREW AM4x15 DIN 85	3	3	3	3
10	349.3.50.811.2	GENERATOR ARMATURE, 26W (Bosch 1 214 210 556)	1	1	1	1
11	349.3.50.814.2	GENERATOR ARMATURE, 10W (Bosch 1 214 210 555)	1	1	1	1
12	349.3.50.819.2	GENERATOR ARMATURE 5W (Bosch 1 214 210 557)	1	1	1	1



Puch 1-speed and 2-speed Maxi USA

Models

8. MAGNETO GENERATOR (cont.)

Ref.- No.	Part- No.	Description	Models			
			M A X I	M A X I	S P E E D	N E W P O W E R
13	349.3.50.810.2	FLYWHEEL (Bosch 1 215 254 658)	1	1	-	-
13	321.1.50.810.2	FLYWHEEL (Bosch 1 215 254 674)	-	-	1	1
14	900.4503	WOODRUFF-KEY 3x3,7 DIN 6888	1	1	1	1
15	901.2943	HEXAGON NUT with band M10x1-8	1	1	1	1
16	302.3.50.015.0	CONTACT-SET (Bosch 1 217 013 021)	1	1	1	1
17	364.4.50.618.1	LUBRICATOR FELT PAD (Bosch 2 201 005 007)	1	1	1	1
18	302.3.50.017.0	COMBINATION SCREW (Bosch 1 213 410 008)	1	1	1	1
19	-----	PLUG - please see group CYLINDER, PISTON	-	-	-	-
20	902.0745	PROTECTION CAP (Bosch 2 200 522 002)	2	2	2	2
21	902.0742	IGNITION COIL (Bosch 0 212 940 001)	1	1	1	1
22	900.3257	SERRATED WASHER J5,3 DIN 6798	2	2	2	2
23	900.1043	HEXAGON HEAD SCREW M5x20 DIN 931	2	2	2	2
24	349.1.52.853.2	BRACKET	1	1	-	-
25	24795	WASHER 6,4 DIN 125	1	1	-	-
26	900.2966	HEXAGON NUT M6 DIN 985	1	1	-	-

Parts not identified by a number are not available singly from Messrs.Bosch.



Puch 1-speed and 2-speed Maxi USA

Ref.- No.	Part- No.	Description	Models			
			M	M	S	N
		11. FRAME, FUEL TAP, SADDLE	A	A	P	E
			X	X	O	W
			I	I	R	P
					T	O
					L	R
					/	
					U	M
					X	K
					E	II
					II	II
			Required-No.			
1	349.2.20.800.0	FRAME compl. (with bearing shells and bearing bushings)	1	1	-	-
1	349.3.20.800.0	FRAME compl. (with bearing shells and bearing bushings)	-	-	1	1
2	349.2.22.834.1	TRANSFER PICTURE (do not use unleaded gasoline) black	as required			
2	349.3.22.834.1	TRANSFER PICTURE (do not use unleaded gasoline) white	as required			
3a	349.1.22.820.0	FILLER CAP compl.	1	1	1	1
3a	349.2.22.820.0	FILLER CAP compl. (locking)	as required			
3b	349.1.22.821.1	MEASURE CUP	as required			
4	349.3.20.837.0	TRANSFER PICTURE l.h. and r.h. (Puch) per pair	1	1	1	-
5	900.2016	HEXAGON NUT M8 DIN 934	2	2	2	2
6	900.3211	SPRING WASHER B8 DIN 137	2	2	2	2
7	24806	WASHER 8,4 DIN 433	2	2	2	2
12	601.1.23.176.1	BRACKET for saddle (replacement for 349.1.23.008.1)	1	1	-	1
13	349.1.20.028.1	CLAMPING PIECE	1	1	1	1
14	27397	HEXAGON HEAD SCREW M8x40 DIN 931-8.8	1	1	1	1
16	349.1.42.005.1	BEARING BUSHING 20/16/19 for pedal spindle	2	2	2	2
17	050.1.2123	RUBBER BUFFER for stand stop	1	1	1	1
18	349.2.20.835.1	INDICATION PLATE (choke) black	as required			
18	349.3.20.835.1	INDICATION PLATE (choke) white	as required			



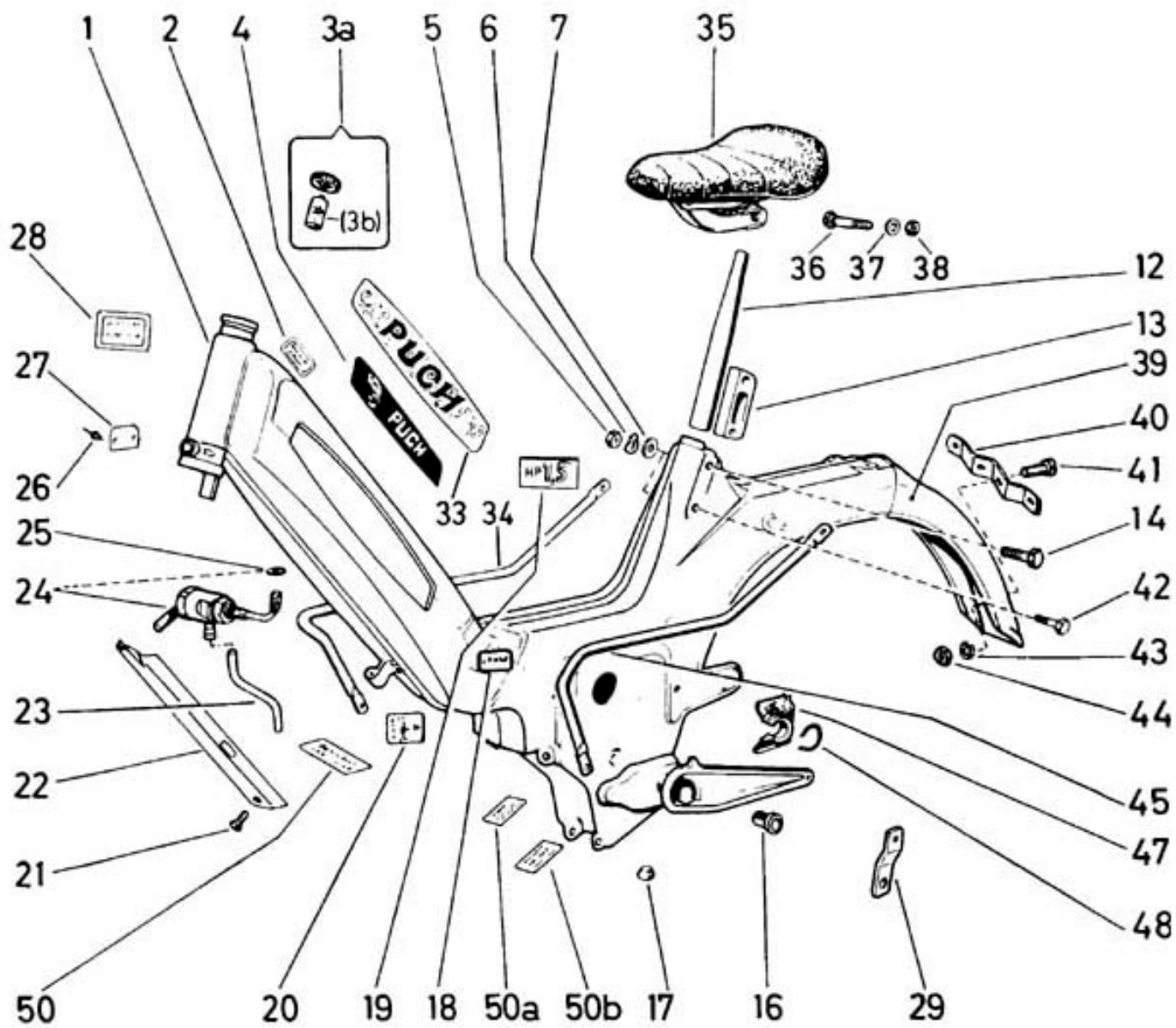


Puch 1-speed and 2-speed Maxi USA

Ref.- No.	Part- No.	Description	Models			
			M A X I	M A P E	S P O R T	N E W P O R T
11. FRAME, FUEL TAP, SADDLE (cont.)						
					L /	R
					U M	T
					X K	
					E II	II
					Required-No.	
19	349.2.20.843.1	TRANSFER PICTURE (1 HP)	1	1	1	1
19	349.2.20.844.1	TRANSFER PICTURE (1,5 HP)	1	1	1	1
19	349.2.20.845.1	TRANSFER PICTURE (2 HP)	1	1	1	1
20	349.1.22.835.1	TRANSFER PICTURE (Fuel, Res, Off, On) black	as required			
20	349.2.22.835.1	TRANSFER PICTURE (Fuel, Res, Off, On) white	as required			
21	900.1442	COUNTERSUNK SCREW M5x16 DIN 963	1	1	1	1
22	349.2.20.029.1	FAIRING for bowden cables (black)	1	1	1	1
23	900.0902/07	FUEL HOSE Ø9/5x120	per meter			
24	349.2.22.830.0	FUEL TAP compl. (with reserve)	1	1	1	1
25	349.1.22.031.1	SEAL RING 10,5/8,5/1	1	1	1	1
26	900.4191	POP-RIVET Ø2,4x4	2	2	2	2
27	349.2.20.833.1	MARKING PLATE	1	1	1	1
28	349.1.40.834.1	INDICATION PLATE (suitable tire rim choice)	1	1	1	1
29	349.1.20.815.1	SHACKLE	1	-	-	-
33	349.4.20.547.0	TRANSFER PICTURE l.h. and r.h. (Puch) per pair	-	-	-	1
34	349.1.20.826.1	CARRYING HANDLE r.h.	-	1	1	1
35	349.1.23.100.0*	SADDLE compl. (Messrs. Fegerl)	1	1	-	1

\* Single seat for Sport MKII see group 11a.





Ma/20/5 US.

Puch 1-speed and 2-speed Maxi USA

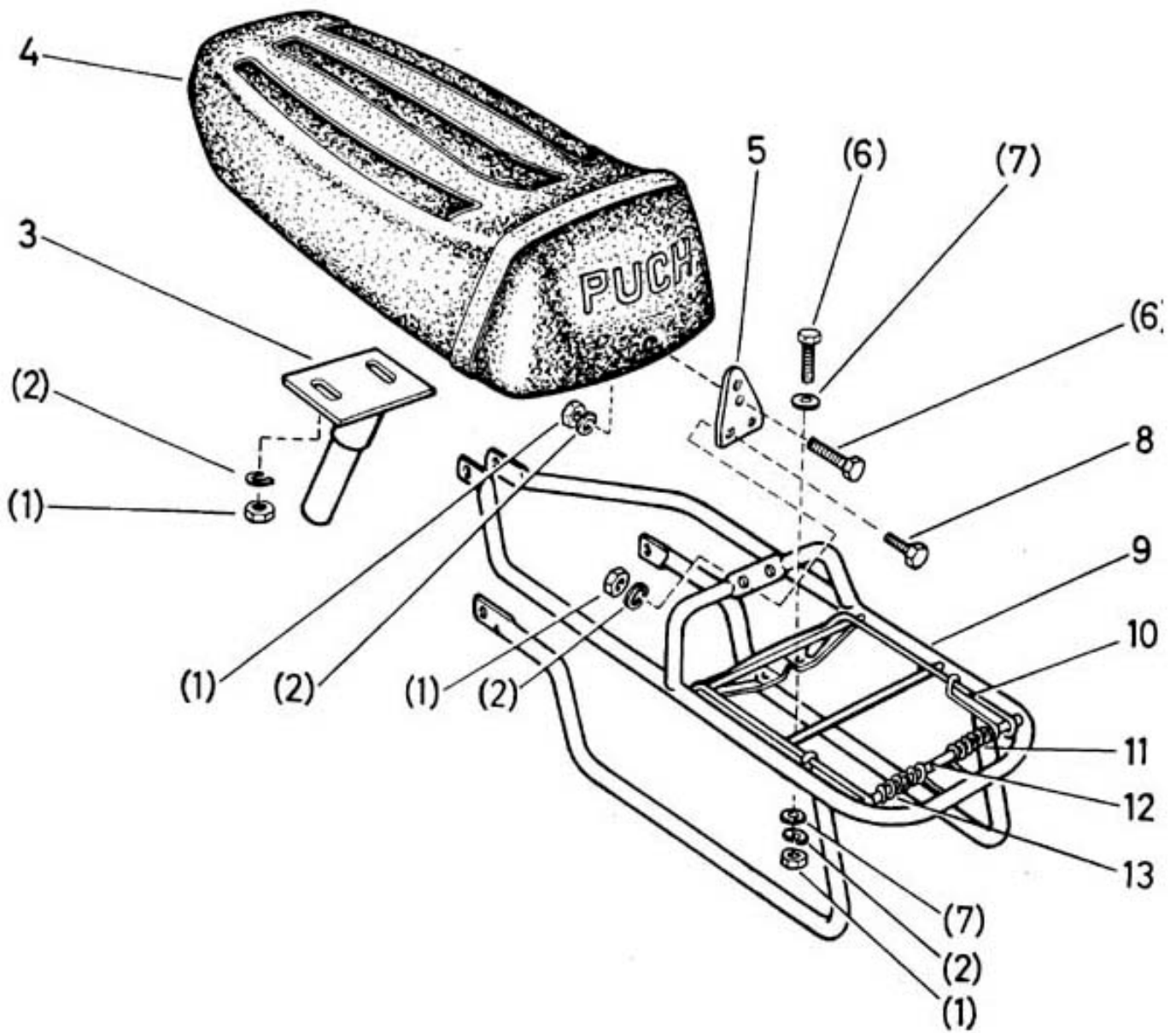
Models

11. FRAME, FUEL TAP, SADDLE (cont.)

M	M	S	N
A	A	P	E
X	X	O	W
I	I	R	P
		T	O
	L	/	R
	U	M	T
	X	K	
	E	II	II

Ref.- No.	Part- No.	Description	Required-No.			
36	901.1034	HEXAGON BOLT M10x60 DIN 931-8.8	1	1	-	1
37	24807	WASHER 10,5 DIN 433	1	1	-	1
38	24776	HEXAGON NUT M10 DIN 934	1	1	-	1
39	349.3.20.510.2	REAR FENDER (Primer)	1	1	1	1
40	349.1.27.820.1	LICENSE PLATE BRACKET	as required			
41	900.1312	CHEESE HEAD SCREW M5x10 DIN 84	2	2	2	2
42	900.1048	HEXAGON BOLT M8x35 DIN 931-8.8	1	1	1	1
43	29190	SPRING RING B5 DIN 127	2	2	2	2
44	900.2105	HEXAGON NUT M5 DIN 555	2	2	2	2
45	349.1.20.525.1	CARRYING HANDLE l.h.	-	1	1	1
47	349.1.20.535.1	CHAIN GUIDE	1	1	1	1
48	349.1.20.536.1	RETAINING RING for chain guide	1	1	1	1
50	349.1.20.851.1	INDICATION PLATE, white (Operator only no passenger)	as required			
50	349.2.20.851.1	INDICATION PLATE, black (Operator only no passenger)	as required			
50a	349.1.20.849.1	INDICATION PLATE, white (keep away from the hot exhaust system)	as required			
50a	349.2.20.849.1	INDICATION PLATE, black (keep away from the hot exhaust system)	as required			
50b	349.1.20.852.1	INDICATION PLATE, white (ride with feet on pedals)	as required			
50b	349.2.20.852.1	INDICATION PLATE, black (ride with feet on pedals)	as required			





Ma/33/2 US.

Puch 1-speed and 2-speed Maxi USA

Models

11a. SINGLE SEAT, LUGGAGE CARRIER

M	M	S	N
A	A	P	E
X	X	O	W
I	I	R	P
		T	O
	L	/	R
	U	M	T
	X	K	
	E	II	II
<hr/>			
Required-			No.

Ref.- No.	Part- No.	Description	Required-No.			
1	24773	HEXAGON NUT M6 DIN 934	-	-	7	-
2	26834	SPRING WASHER B6 DIN 127	-	-	7	-
3	349.1.33.507.2	SEAT BRACKET	-	-	1	-
4	349.6.33.600.0	SINGLE SEAT	-	-	1	-
5	349.1.33.608.1	SHAKLE	-	-	1	-
6	24928	HEXAGON SCREW M6x16 DIN 933	-	-	3	-
7	24804	WASHER 6,4 DIN 433	-	-	4	-
8	24927	HEXAGON SCREW M6x12 DIN 933	-	-	2	-
9	349.9.29.800.0	LUGGAGE CARRIER compl.	-	-	1	-
10	349.2.29.627.1	LUGGAGE HOLDER	-	-	1	-
11	349.2.29.626.1	SPRING r.h.	-	-	1	-
12	349.2.29.624.1	SPRING AXLE Ø6x142	-	-	1	-
13	349.2.29.625.1	SPRING l.h.	-	-	1	-



Puch 1-speed and 2-speed Maxi USA

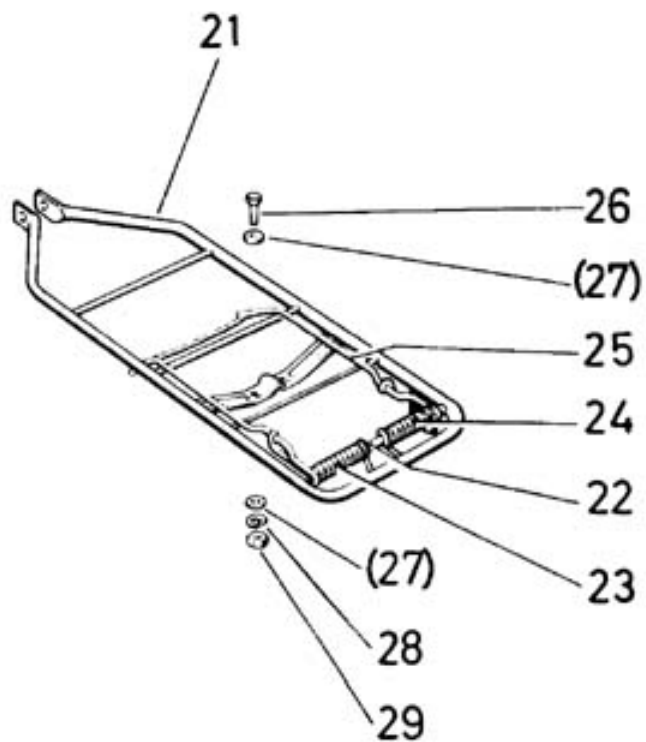
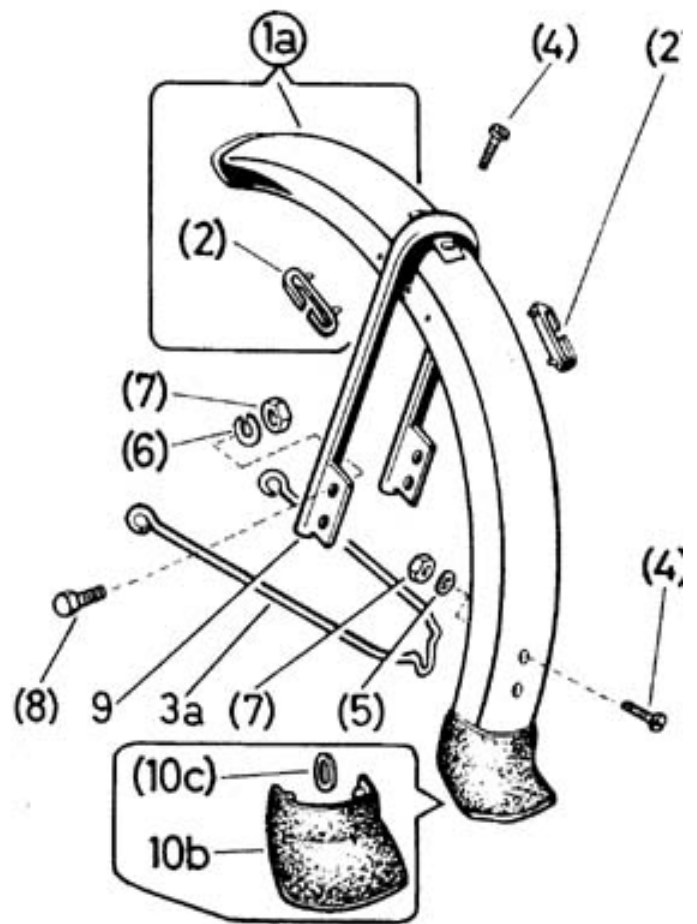
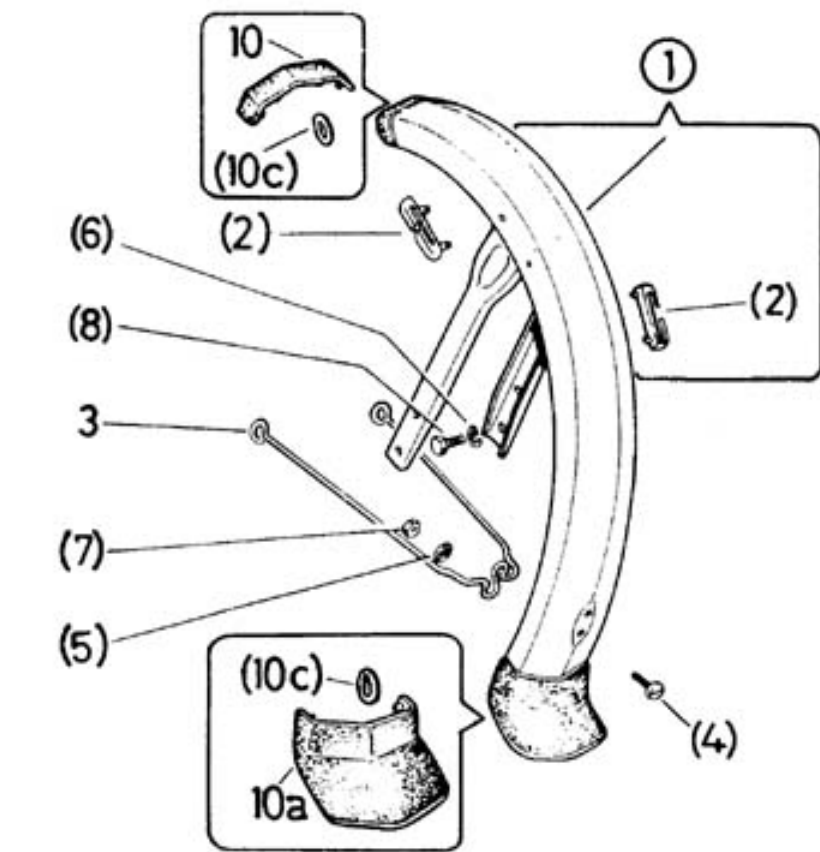
Models

M	M	S	N
A	A	P	E
X	X	O	W
I	I	R	P
		T	O
		L	R
		U	M
		X	K
		E	II

12. FENDER, LUGGAGE CARRIER

Ref.- No.	Part- No.	Description	Required-No.			
			M	M	S	N
1	349.2.27.400.0	FRONT FENDER compl.	1	1	-	1
1a	321.3.27.100.0	FRONT FENDER (INOX) compl.	-	-	1	-
2	350.2.27.003.1	CABLE GUIDE	2	2	2	2
3	349.1.27.403.1	FENDER BRACE front (302mm long)	1	1	-	1
3a	321.1.27.002.1	FENDER BRACE front (310mm long)	-	-	1	-
4	25429	PAN HEAD SCREW AM5x12 DIN 85	2	2	4	2
5	900.3455	SECURING WASHER JZC 5	2	2	2	2
6	29190	SPRING WASHER B5 DIN 127	4	4	6	4
7	24772	HEXAGON NUT M5 DIN 934	2	2	8	2
8	26509	HEXAGON HEAD SCREW M5x10 DIN 933	4	4	4	4
9	321.1.27.009.2	FENDER HOLDER	-	-	1	-
10	349.2.27.409.1	EDGING )	1	1	-	1
10a	349.1.27.414.1	SPLASH SPOT )	1	1	-	1
10b	321.4.27.114.1	SPLASH SPOT ) as required	-	-	1	-
10c	22803	TOOTHED LOCK WASHER ) J5,3 DIN 6797 )	8	8	4	8





Ma/27/4 US.

Puch 1-speed and 2-speed Maxi USA

Models

M	M	S	N
A	A	P	E
X	X	O	W
I	I	R	P
		T	O
		L	/
		U	M
		X	K
		E	II
		II	II

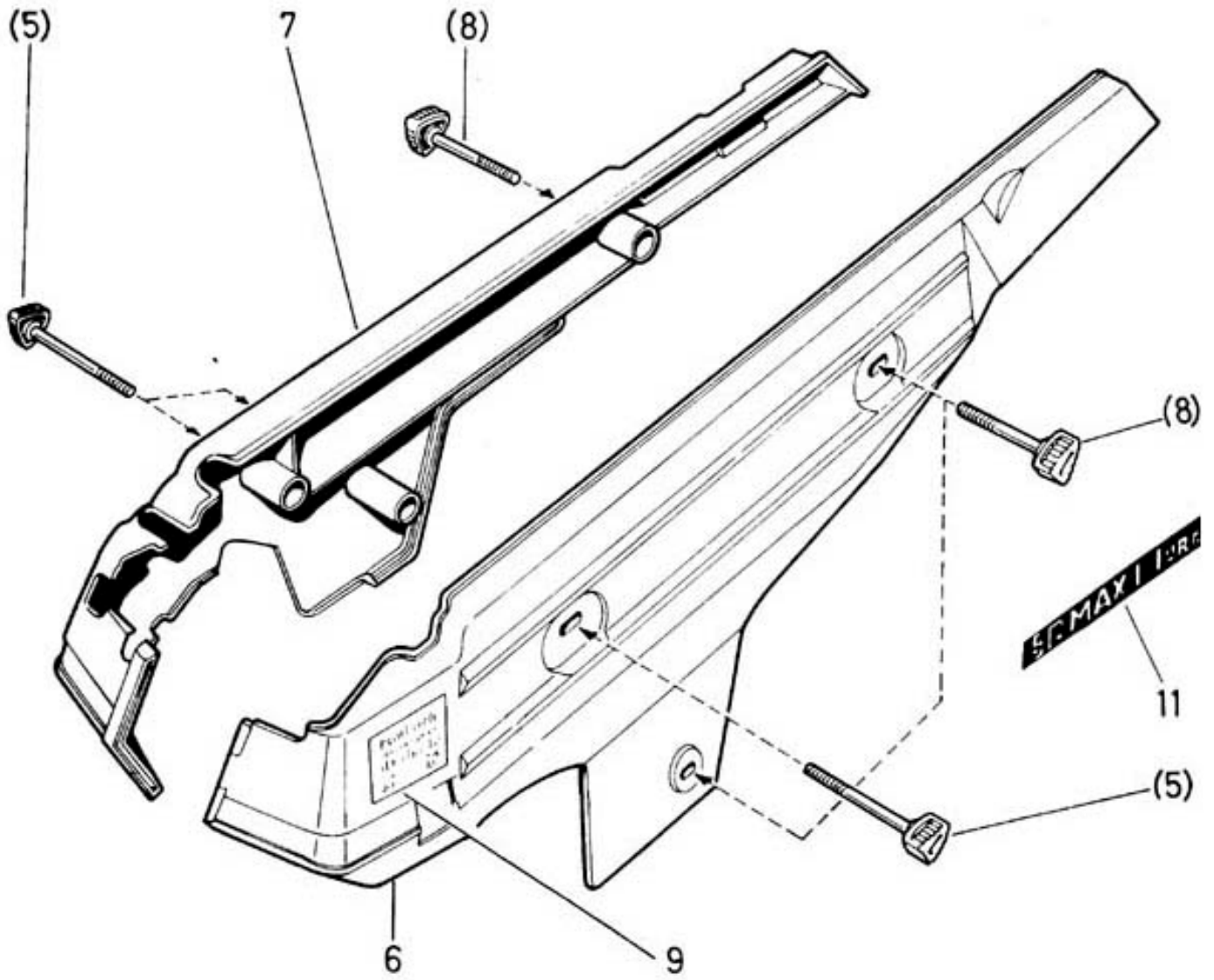
12. FENDER, LUGGAGE CARRIER (cont.)

Ref.- No.	Part- No.	Description	Required-No.			
			M	M	S	N
21	349.1.29.500.0*	LUGGAGE CARRIER compl.	1	1	-	1
22	349.2.29.624.1	SPRING AXLE Ø6x142	1	1	-	1
23	349.2.29.625.1	SPRING l.h.	1	1	-	1
24	349.2.29.626.1	SPRING r.h.	1	1	-	1
25	349.1.29.527.1	LUGGAGE HOLDER	1	1	-	1
26	24928	HEXAGON SCREW M6x16 DIN 933	2	2	-	2
27	24804	PLAIN WASHER 6,4 DIN 433	4	4	-	4
28	26834	SPRING RING B6 DIN 127	2	2	-	2
29	24773	HEXAGON NUT M6 DIN 934	2	2	-	2

\*Luggage carrier for Sport MKII  
see group 11a.







**Ma/28/4** US.

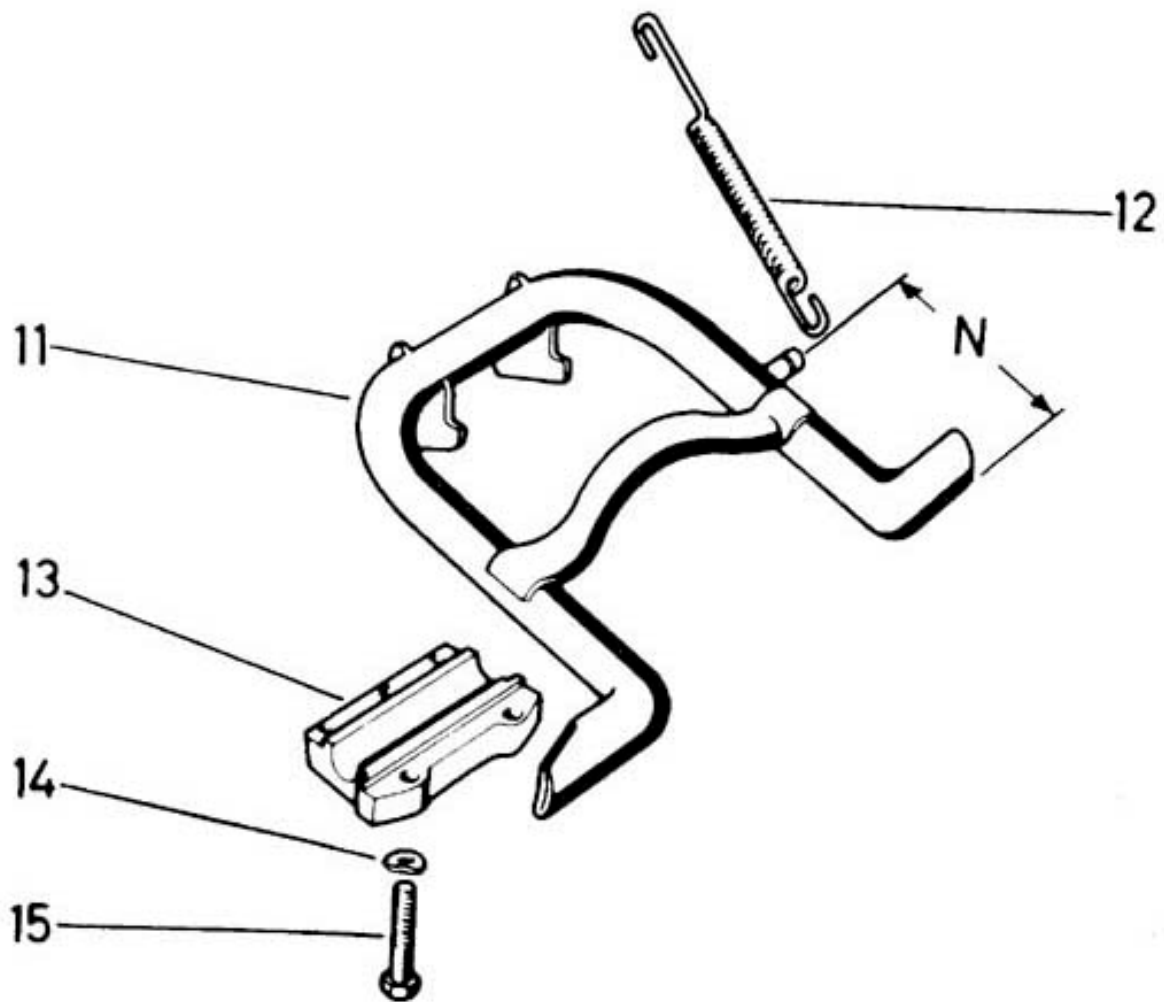
Puch 1-speed and 2-speed Maxi USA

Models			
M	M	S	N
A	A	P	E
X	X	O	W
I	I	R	P
		T	O
		L /	R
		U M	T
		X K	
		E II	II
Required-No.			

13. CHAIN GUARD

Ref.- No.	Part- No.	Description	Required-No.			
5	349.2.28.007.2	CLAMPING SCREW (M5, 47 long) black	3	3	3	3
6	349.6.28.502.1	CHAIN GUARD l.h. (black)	1	1	-	-
6	349.7.28.502.1	CHAIN GUARD l.h. (black)	-	-	1	1
7	349.9.28.503.1	CHAIN GUARD r.h. (black)	1	1	-	-
7	349.4.28.603.1	CHAIN GUARD r.h. (black)	-	-	1	1
8	349.2.28.506.2	CLAMPING SCREW (M5, 36,5 long) black	3	3	3	3
9	349.3.20.834.1	INDICATION PLATE (white)	1	1	1	1
11	349.1.28.815.1	TRANSFER PICTURE ("MAXI")	2	-	-	-
11	349.2.28.815.1	TRANSFER PICTURE ("MAXI-LUXE HI TORQUE")	-	2	-	-
11	349.4.28.815.1	TRANSFER PICTURE ("SPORT AUTO SHIFT")	-	-	2	-
11	349.2.28.816.1	TRANSFER PICTURE ("Newport II")	-	-	-	2





Ma / 24 / 3 US.

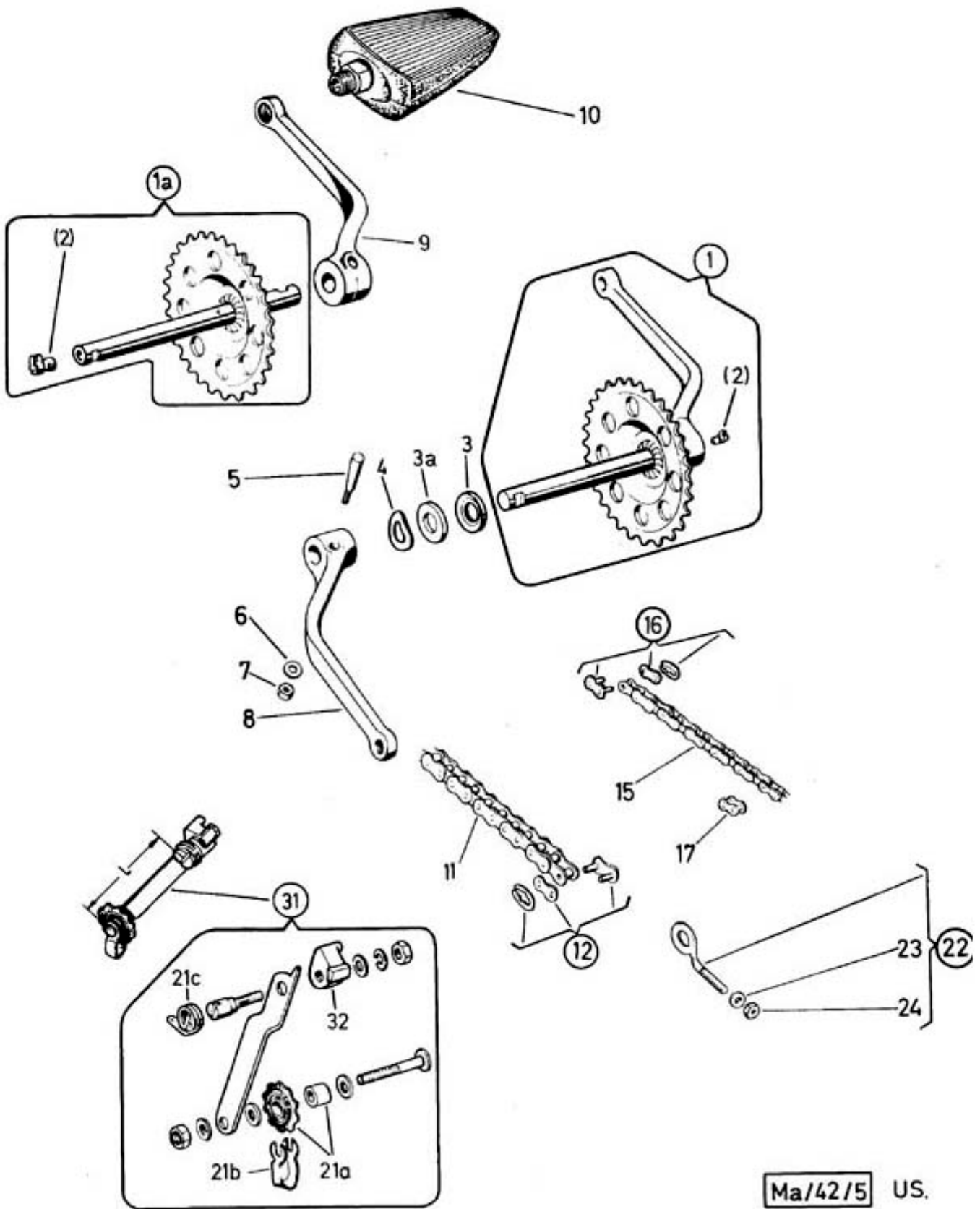
Puch 1-speed and 2-speed Maxi USA

Models			
M	M	S	N
A	A	P	E
X	X	O	W
I	I	R	P
		T	O
	L	/	R
	U	M	T
	X	K	
	E	II	II
Required-No.			

14. PROP STAND

Ref.- No.	Part- No.	Description	Required-No.			
11	349.5.24.500.2	PROP STAND (measure "N" = 95 mm) (replacement for 349.3.24.500.2 and 321.1.24.600.2)	1	1	1	1
12	128.2410	PROP STAND SPRING	1	1	1	1
13	349.3.24.006.1	PROP STAND BEARING CUP	1	1	1	1
14	900.3212	SPRING WASHER A6 DIN 137	3	3	4	4
15	26427	HEXAGON BOLT M6x35 DIN 931	3	3	4	4





Puch 1-speed and 2-speed Maxi USA

Models			
M	M	S	N
A	A	P	E
X	X	O	W
I	I	R	P
		T	O
		L	R
		U	M
		X	K
		E	II
		II	II

15. PEADLS, CHAINS, CHAIN TENSIONER

Ref.- No.	Part- No.	Description	Required-No.			
1	349.4.42.103.0	CRANK r.h. compl. (28 teeth, with pedal spindle welded and part 2)	1	1	-	-
1a	321.3.42.601.0	PEDAL SPINDLE (28 teeth, with part 2)	-	-	1	1
2	360.1.40.011.1	GREASE NIPPLE	1	1	1	1
3	349.1.42.105.1	SPACER 33/16/5	1	1	1	1
3a	900.3017	SPACER 30/17/3	1	1	-	-
3a	321.1.42.605.1	SPACER RING 24/16/9	-	-	1	1
4	900.3994	SPRING WASHER 30/17/0,5	1	1	1	1
5	605.1313	COTTER	1	1	2	2
6	900.3926	WASHER 14/6,5/2	1	1	2	2
7	900.2909	HEXAGON NUT 1/4" (26 Gg/inch)	1	1	2	2
8	349.2.42.102.1	CRANK l.h.	1	1	1	1
9	349.2.42.203.1	CRANK r.h.	-	-	1	1
10	321.1.13.460.0	PEDAL compl. per pair	1	1	1	1
11	907.3.28.100.0	DRIVING CHAIN compl. (1/2"x3=16"x7,75) (1 HP) 100 rollers (2 HP)	-	-	1	1
11	907.3.28.099.0	DRIVING CHAIN compl. (1/2"x3/16"x7,75) (1 HP 99 rollers and 1,5 HP)	1	1	-	-
11	907.3.28.098.0	DRIVING CHAIN compl. (1/2"x3/16"x7,75) (1,5 HP 98 rollers and 2 HP)	-	-	1	1
12	907.3.28.001.0	CHAIN MASTER LINK compl.	1	1	1	1



Puch 1-speed and 2-speed Maxi USA

Models

15. PEDALS, CHAINS, CHAIN TENSIONER (cont.)

M	M	S	N
A	A	P	E
X	X	O	W
I	I	R	P
		T	O
	L	/	R
	U	M	T
	X	K	
	E	II	II

Ref.- No.	Part- No.	Description	Required-No.			
15	600.6.15.077.0	CHAIN for pedals (1/2"x1/8") 77 rollers (1,5 HP)	-	1	-	-
15	600.6.15.078.0	CHAIN for pedals (1/2"x1/8") 78 rollers	1	1	1	1
16	600.1.15.010.0	CHAIN MASTER LINK compl.	1	1	1	1
17	1141	BLOCK (for lengthen the chain for pedals)	as required			
21	349.1.28.021.0	CHAIN TENSIONER ROLLER compl.	1	1	1	1
21b	349.1.28.022.1	CHAIN GUIDE CLIP	1	1	1	1
21c	349.1.28.023.1	TORSION SPRING for chain tensioner	1	1	1	1
22	349.1.41.011.0	CHAIN TENSIONER compl. (with parts 23 and 24)	2	2	2	2
23	24804	PLAIN WASHER 6,4 DIN 433	2	2	2	2
24	900.2014	HEXAGON NUT M6 DIN 934	2	2	2	2
31	349.3.28.520.0	CHAIN TENSIONER compl. for pedal chain (with parts 21a, 21b, 21c and 32) (l=110mm)	1	1	1	1
32	349.1.28.527.1	ADAPTOR	1	1	1	1



Puch 1-speed and 2-speed Maxi USA

Models

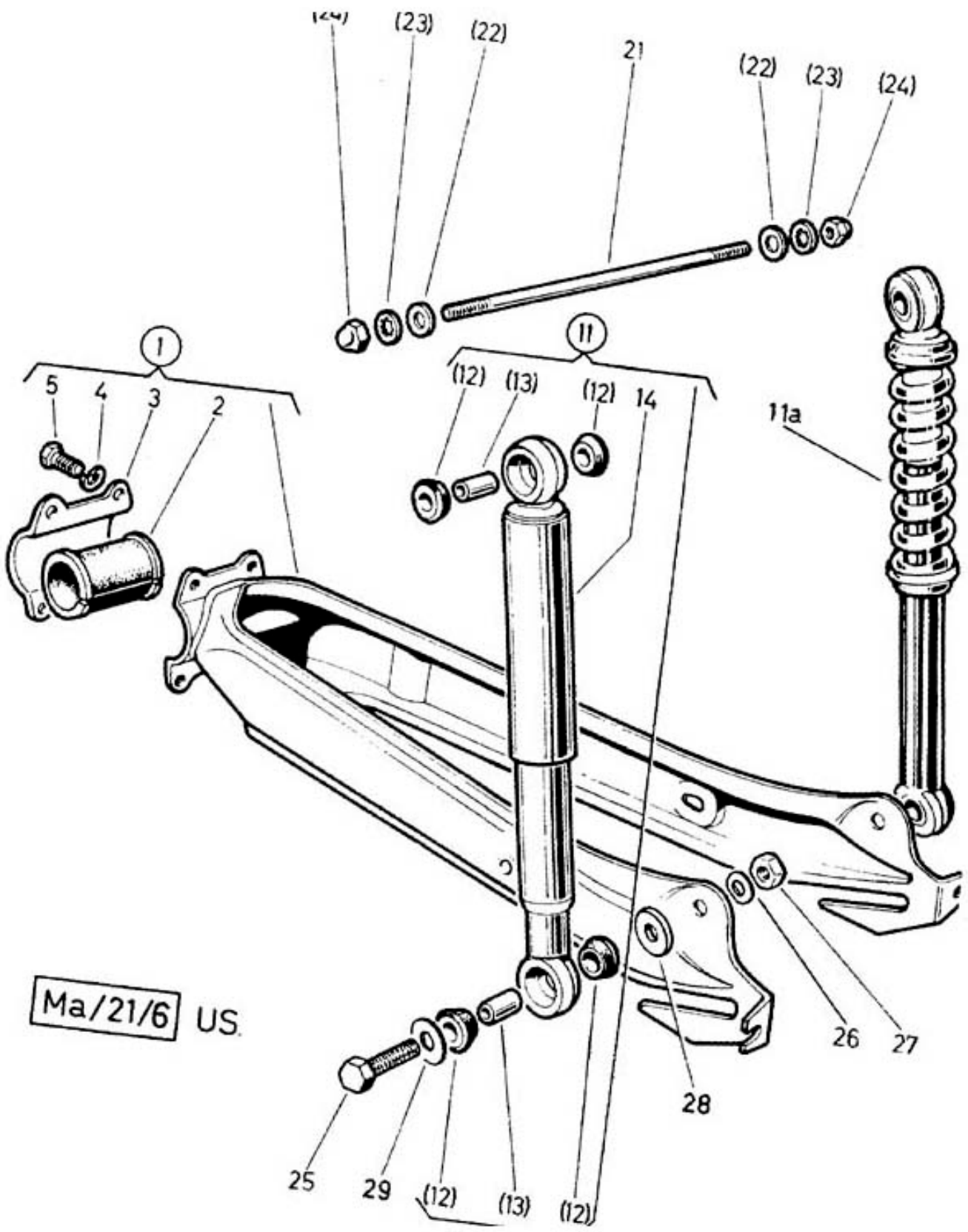
M M S N  
A A P E  
X X O W  
I I R P  
T O  
L / R  
U M T  
X K  
E II II

15a. REAR SUSPENSION

Ref.- No.	Part- No.	Description	Required-No.			
1	321.2.21.200.0	PIVOTED FORK compl. (replacement for 349.1.21.500.0)	1	1	1	1
2	349.1.21.509.1	RUBBER BEARING for pivoted fork	1	1	1	1
3	349.1.21.504.1	BEARING BUSH	1	1	1	1
4	26819	SPRING RING B8 DIN 127	4	4	4	4
5	900.1144	HEXAGON SCREW M8x16 DIN 933-8.8	4	4	4	4
11	349.6.21.550.0	REAR SHOCK compl. (Sebac, black) (replacement for 349.3.21.550.0)	2	2	-	-
11a	349.1.21.850.0	REAR SHOCK compl.	-	-	2	2
12	349.1.21.551.1	RUBBER BEARING for rear shock	8	8	8	8
13	349.1.21.552.1	SLEEVE 12/8,3/19	4	4	4	4
14	349.3.21.553.1	SLIDING TUBE (Ø40mm, plastic) black	2	2	-	-
21	349.1.21.513.1	BOLT (M8, 191 long)	1	1	-	1
21	364.1.21.013.1	BOLT (M8, 205 long)	-	-	1	-







Puch 1-speed and 2-speed Maxi USA

Ref.- No.	Part- No.	Description	Models			
			M A X I	M A X I	S P O R T L U X E	N E W P R O T O R M K II
		15a. REAR SUSPENSION (cont.)				
						Required-No.
22	126.3025	WASHER 20/8,5/1	-	2	-	2
22	126.2.30.025.1	WASHER 20/8,5/2	-	-	2	-
22	900.3027	WASHER 8,4 DIN 7349	2	-	-	-
23	22805	TOOTHED LOCK WASHER J8,4 DIN 6797	2	2	2	2
24	900.2935	DOMED NUT M8 DIN 1587	2	2	2	2
25	900.1020	HEXAGON SCREW M8x30 DIN 931-8.8	2	2	2	2
25	900.1149	HEXAGON SCREW M8x35 DIN 933-8.8 (as required)-	-	-	2	2
26	900.3211	SPRING WASHER B8 DIN 137	2	2	2	2
27	24775	HEXAGON NUT M8 DIN 934	2	2	2	2
28	186	WASHER 20/8,4/3,5 )	-	-	2	2
29	126.3025	WASHER 20/8,5/1 ) as requd.	-	-	2	2



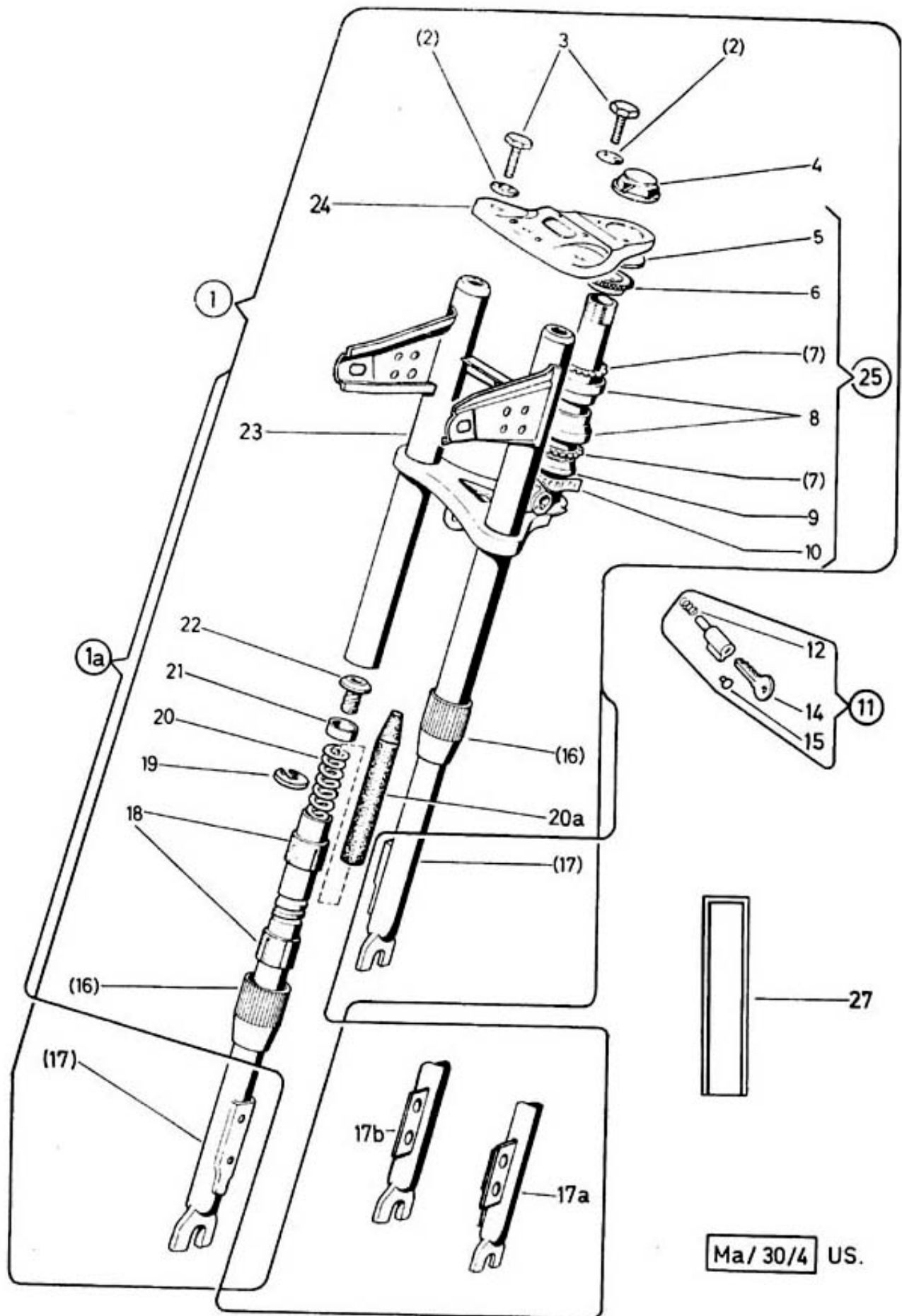
Puch 1-speed and 2-speed Maxi USA

Models			
M	M	S	N
A	A	P	E
X	X	O	W
I	I	R	P
		T	O
		L	R
		U	M
		X	K
		E	II
		II	II

16. FRONT FORK WITH STEERING

Ref.- No.	Part- No.	Description	Required-No.			
1	349.9.30.600.0	FRONT FORK compl. (replacement for 349.5.30.800.0)	1	1	-	1
1a	349.3.30.600.0	FRONT FORK compl. (replacement for 349.6.30.800.0)	-	-	1	-
2	126.2.30.025.1	WASHER 20/8,5/2	2	2	2	2
3	902.1011	HEXAGON HEAD SCREW (M8x25, self-locking)	2	2	2	2
4	349.1.30.518.1	FORK SHAFT NUT	1	1	1	1
5	901.3935	WASHER 32/26,2/2,5	1	1	1	1
6	600.1.33.007.1	TOP BEARING RACE	1	1	1	1
7	3298	BALL RETAINER	2	2	2	2
8	600.2.33.005.1	BEARING CUP	2	2	2	2
9	600.2.33.006.1	BOTTOM BEARING RACE	1	1	1	1
10	349.1.30.015.1	SPRING STRAP	1	1	1	1
11	330.1.20.052.9	LOCK compl.	1	1	1	1
12	330.1.20.059.1	THRUST SPRING	1	1	1	1
14 or 14	350.2.30.023.1	SPARE KEY - "Neiman" (please state key-number)	-	-	-	-
	321.1.20.153.1	SPARE KEY - "PUCH" (please state key-number)	-	-	-	-
15	330.1.20.060.1	AL-NOTCHED RIVET	1	1	1	1
16	349.1.30.137.1	GROOVED SHELL	2	2	2	2
17	349.2.30.115.2	SLIDING TUBE (replacement for 349.1.30.115.2)	2	2	-	2





Ma/ 30/4 US.

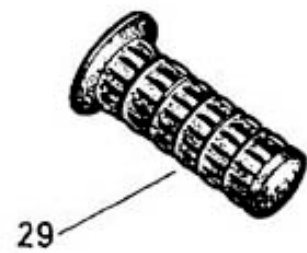
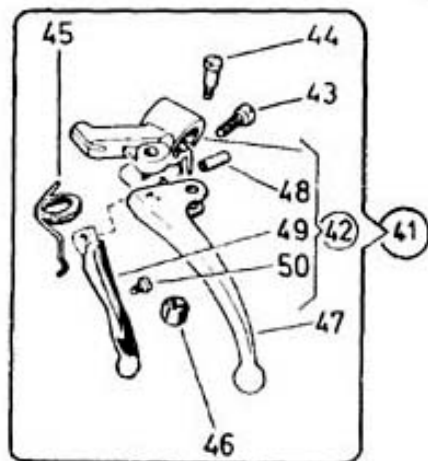
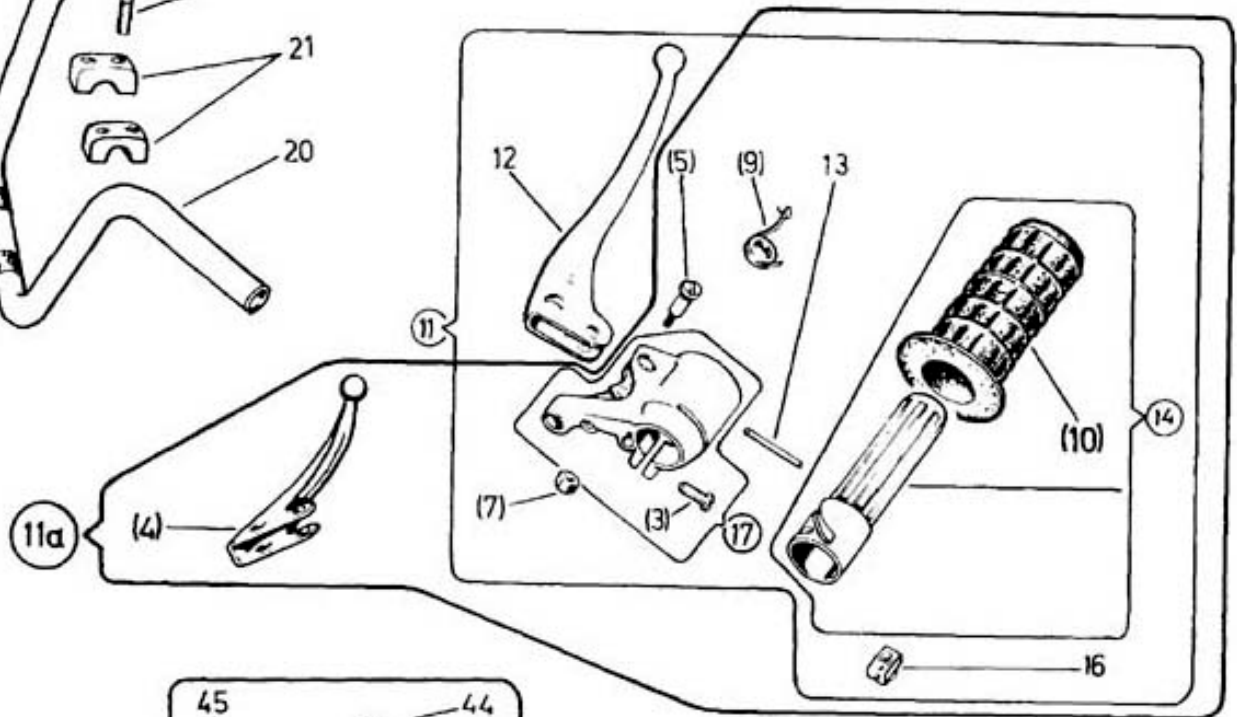
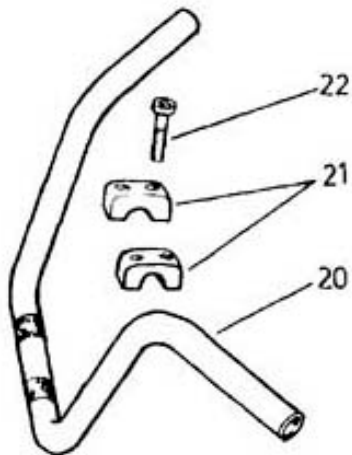
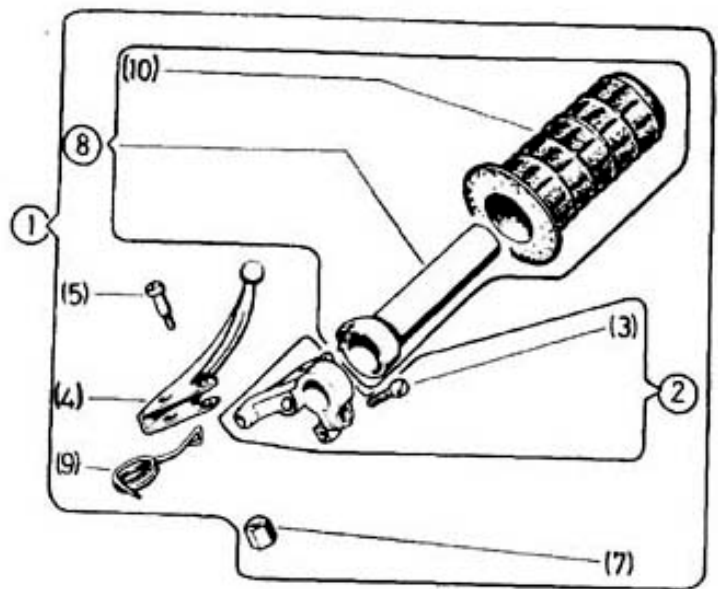
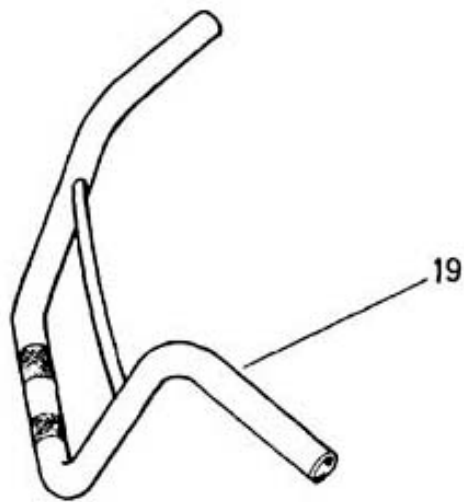
Puch 1-speed and 2-speed Maxi USA

Models			
M	M	S	N
A	A	P	E
X	X	O	W
I	I	R	P
		T	O
		L	R
		U	M
		X	K
		E	II
		II	II

16. FRONT FORK WITH STEERING (cont.)

Ref.- No.	Part- No.	Description	Required-No.			
17a	321.2.30.215.2	SLIDING TUBE l.h. (replacement for 321.1.30.215.2)	-	-	1	-
17b	321.2.30.016.2	SLIDING TUBE r.h. (replacement for 321.1.30.016.2)	-	-	1	-
18	349.1.30.126.1	GUIDE BUSHING 27/22,8/30	4	4	4	4
19	367.2.30.031.1	WASHER for thrust spring (replacement for 349.2.30.135.1)	2	2	2	2
20	349.2.30.134.1	THRUST SPRING Ø19x184, thickness of wire Ø3	2	2	2	2
20a	349.1.30.820.1	RUBBER SPRING, 120mm long	2	2	2	2
21	349.1.30.117.1	DAMPING STOP 27/19,2/10	2	2	2	2
22	349.1.30.135.1	TOP THREADING COUPLING	2	2	2	2
23	349.4.30.806.2	BOTTOM BRIDGE FOR FORK	1	1	1	1
24	349.2.30.507.2	TOP BRIDGE FOR FORK (with hole by "A")	1	1	1	1
25	349.1.31.000.0	STEERING SET compl.	as required			
27	349.1.30.143.1	TRANSFER PICTURE	-	-	-	2





rucn 1-speed and 2-speed Maxi USA

Models			
M	M	S	N
A	A	P	E
X	X	O	W
I	I	R	P
		T	O
		L	R
		U	M
		X	K
		E	II
		II	II

17. HANDLEBAR AND CONTROLS

Ref.- No.	Part- No.	Description	Required-No			
1	349.4.32.805.0	THROTTLE TWIST GRIP compl.	1	-	-	-
2	349.1.32.807.0	HOUSING for throttle grip compl.	1	-	-	-
3	050.3222	PAN HEAD SCREW (M6x15)	1	1	1	1
4	349.5.32.006.1	BRAKE LEVER (Alu-pressend)	1	1	-	1
5	050.3227	PIVOT BOLT (M5)	1	1	1	1
7	349.3.32.028.1	PLASTIC NUT (self-locking for threading M5)	1	1	1	1
8	349.4.32.808.0	THROTTLE TWIST GRIP TUBE compl.	1	-	-	-
9	349.1.32.809.1	RETURN SPRING r.h.	1	1	1	1
10	349.1.32.815.1	TWIST GRIP COVER Ø24 (black)	1	1	1	1
11	349.2.32.805.0	THROTTLE TWIST GRIP compl.	-	-	1	-
11a	349.7.32.805.0	THROTTLE TWIST GRIP compl.	-	1	-	1
12	328.2.32.028.1	BRAKE LEVER (Alu-cast)	-	-	1	-
13	902.4822	SPIRAL PIN 2x26 DIN 7343	-	1	1	1
14	349.2.32.808.0	THROTTLE TWIST GRIP TUBE compl.	-	1	1	1
16	349.1.32.110.0	SLIDING BLOCK compl.	-	1	1	1
17	349.1.32.107.0/31	HOUSING for throttle grip compl. dull black	-	1	1	1
19	321.8.32.301.2	HANDLEBAR TUBE (replacement for 321.4.32.301.1)-	-	-	1	-



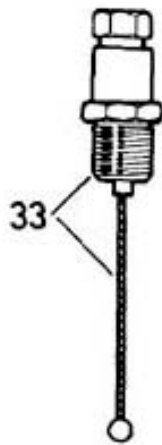
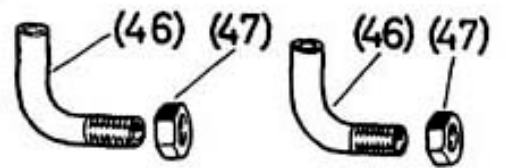
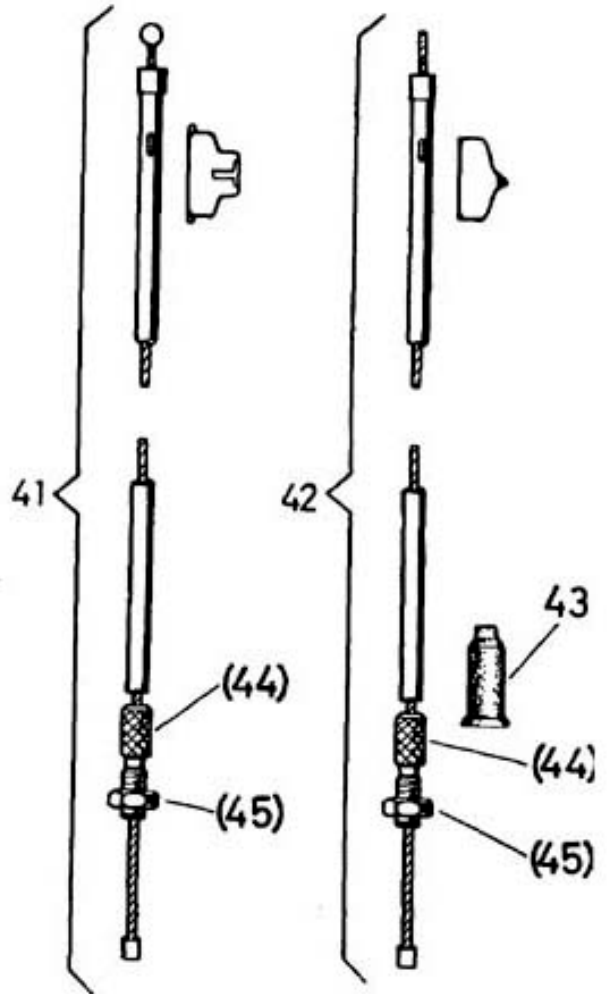
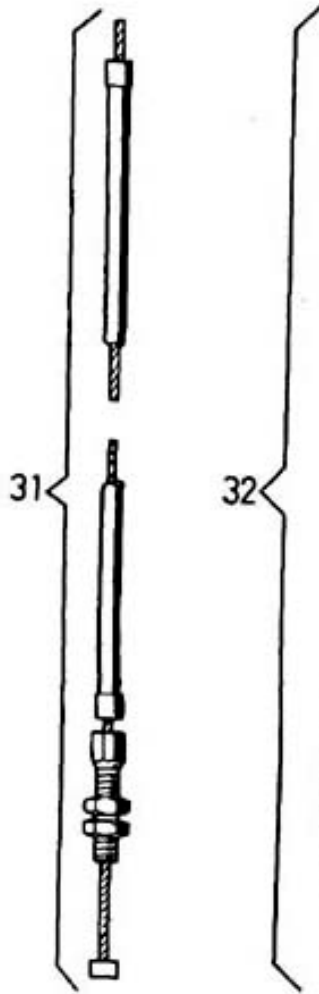
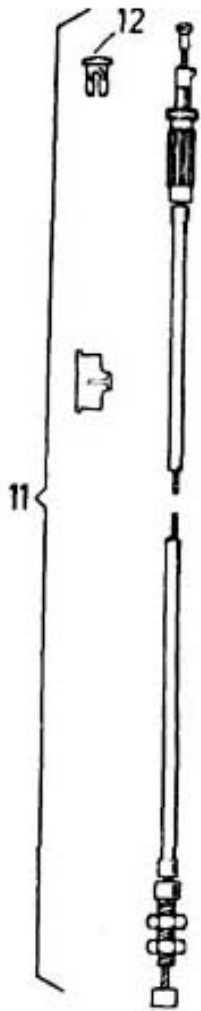
Models			
M	M	S	N
A	A	P	E
X	X	O	W
I	I	R	P
		T	O
		L	R
		U	M
		X	K
		E	II
		II	II

17. HANDLEBAR AND CONTROLS (cont.)

Ref.- No.	Part- No.	Description	Required-No.			
			M	M	S	N
20	321.5.32.301.1	HANDLEBAR TUBE	1	1	-	1
21	349.2.30.502.1	CLAMP	2	2	2	2
22	900.1374	HEXAGON SOCKET HEAD SCREW (M7x35)	4	4	4	4
29	349.3.32.816.1	DUMMY RUBBER GRIP Ø22 (black, with hole)	1	1	1	1
41	349.8.32.017.0	BRAKE- AND ACTUATING LEVER cpl.	-	1	-	-
41	349.1.32.817.0	BRAKE- AND ACTUATING LEVER cpl.	1	-	-	-
(41)	349.2.32.617.0	BRAKE- AND ACTUATING LEVER cpl.	-	-	1	-
(41)	349.1.32.617.0	BRAKE- AND ACTUATING LEVER cpl.	-	-	-	1
42	349.1.32.818.0/90	SHACKLE compl. (silver)	1	-	-	-
42	349.1.32.818.0/31	SHACKLE compl. (dull black)	-	1	-	-
(42)	349.1.32.618.0/31	SHACKLE compl. (dull black)	-	-	1	1
43	050.3222	PAN HEAD SCREW (M6x15)	1	1	1	1
44	050.3227	PIVOT BOLT (M5)	1	1	1	1
45	349.1.32.819.1	RETURN SPRING l.h.	1	1	1	1
46	349.3.32.028.1	PLASTIC NUT (for thread M5)	1	1	1	1
47	349.7.32.017.1	HAND LEVER for brake (Alu-pressend)	1	1	-	1
47	328.2.32.006.1	HAND LEVER for brake (Alu-cast)	-	-	1	-
48	902.4809	SPIRAL PIN 4,7x12 DIN 7343	1	1	1	1
49	349.3.32.032.1	HAND LEVER for clutch (power)	1	1	-	-
(49)	349.1.32.632.1	HAND LEVER for clutch (power)	-	-	1	1
50	349.1.32.031.1	CABLE CLAMPING SCREW (M4x10)	1	1	1	1







Ma/60/4 US.

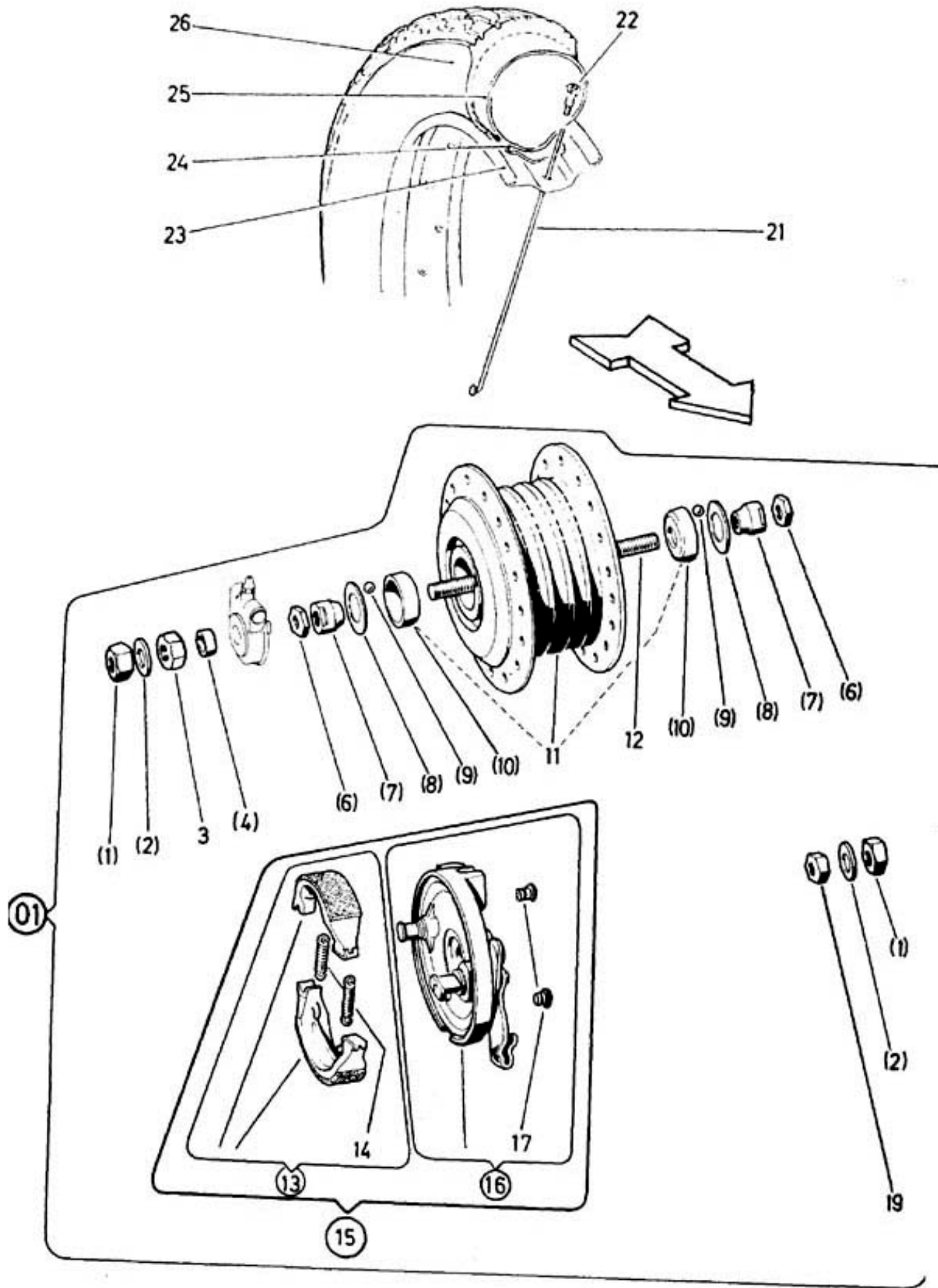
Puch 1-speed and 2-speed Maxi USA

Models			
M	M	S	N
A	A	P	E
X	X	O	W
I	I	R	P
		T	O
		L	R
		U	M
		X	K
		E	II
		II	II

18. CABLES

Ref.- No.	Part- No.	Description	Required-No			
			M	M	S	N
11	910.8.18.002.0	FRONT BRAKE CABLE compl. (wire 1010/cover 850)	1	1	-	1
11	910.8.18.003.0	FRONT BRAKE CABLE compl. (wire 1040/cover 880)	-	-	1	-
11	910.8.18.004.0	REAR BRAKE CABLE compl. (wire 1650/cover 1490)	1	1	1	1
12	910.0.12.002.1	CABLE RETAINER	2	2	2	2
31	910.2.11.001.0	CLUTCH (Power) CABLE compl. (wire 1060/cover 810)	1	1	-	-
32	910.4.20.003.0	CLUTCH (Power) CABLE compl. (wire 1060/cover 930) replacement for 910.4.14.003.0	-	-	1	1
33	910.4.18.001.0	CLUTCH (Power) CABLE compl. (66 long) replacement for 910.4.12.001.0	-	-	1	1
41	910.5.10.003.0	THROTTLE (CARBURETOR) CABLE compl. (wire 1026/cover 895) (1 HP and 1,5 HP)	1	-	-	-
41	910.5.10.005.0	THROTTLE (CARBURETOR) CABLE compl. (wire 1031/cover 895) (2 HP)	1	-	-	-
42	910.5.22.001.0	THROTTLE (CARBURETOR) CABLE compl. (wire 1010/cover 900)	-	1	1	1
43	337.1.15.120.1	COVERING SOCKET	-	1	1	1
44	050.1520	BOWDEN CABLE ADJUSTING SCREW(M5)	1	1	1	1
45	900.2115	HEXAGON NUT BM5 DIN 439	1	1	1	1
46	321.1.15.018.1	PIPE ELBOW	1	1	1	1
47	26779	HEXAGON NUT BM6x0,75	1	1	1	1

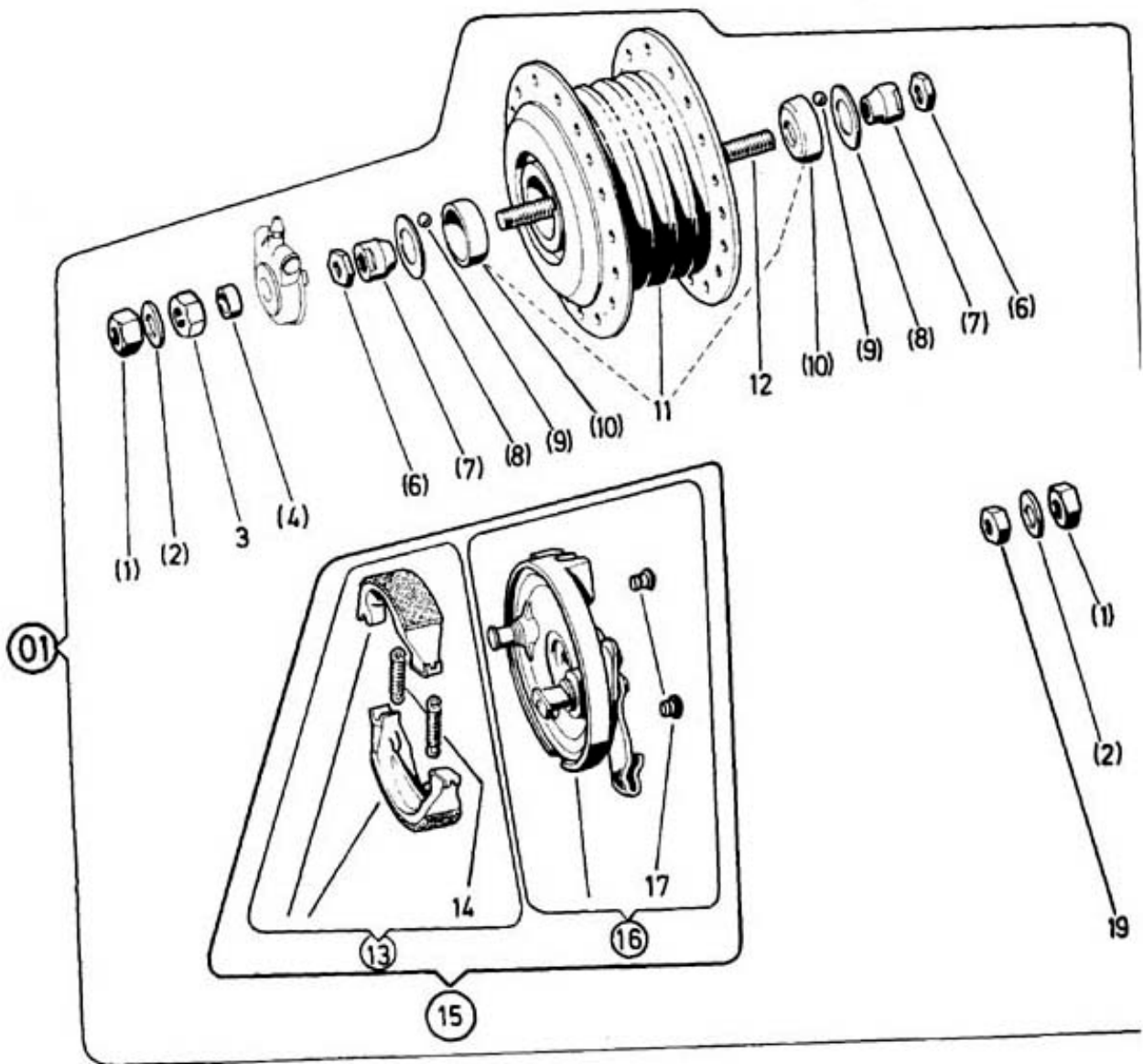
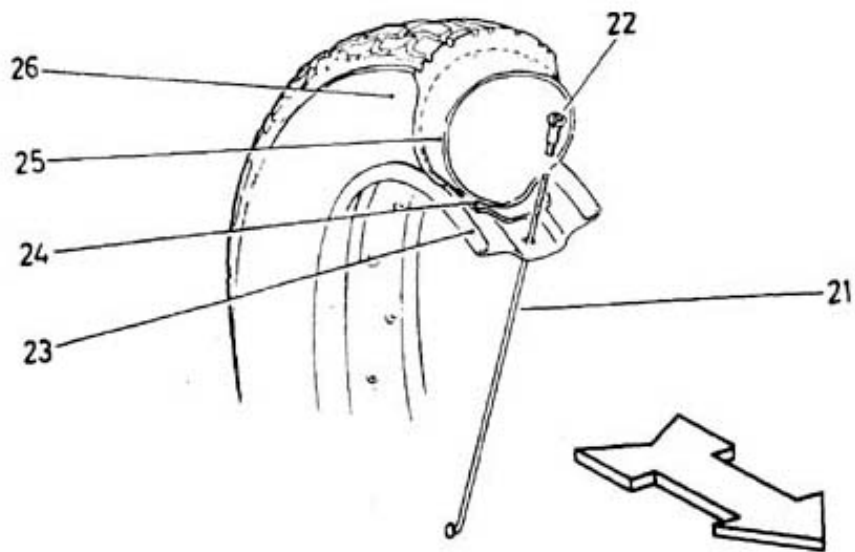




Puch 1-speed and 2-speed Maxi USA

Ref.- No.	Part- No.	D e s c r i p t i o n	Models			
			M	M	S	N
		19. FRONT WHEEL (Wire Spoke)	A	A	P	E
			X	X	O	W
			I	I	R	P
					T	O
				L	/	R
				U	M	T
				X	K	
				E	II	II
			Required-No			
--	349.3.40.800.0	FRONT WHEEL compl. (with steel rim, without tire)	1	1	-	1
01	349.3.40.802.0	FRONT WHEEL HUB compl. (Leleu Ø80mm) replacement for 349.1.40.802.0	1	1	-	1
1	349.1.40.016.1	HEXAGON NUT (axle nut) (M11x1, 10mm high, 19SW)	2	2	-	2
2	604.4124	WASHER 19/11,3/0,8	2	2	-	2
3	349.3.40.008.1	HEXAGON NUT (M11x1, 9mm high, SW22) replacement for 349.2.40.008.1	1	1	-	1
4	349.1.40.004.1	SPACER RING 16/11,2/4,7	1	1	-	1
6	349.1.40.008.1	HEXAGON NUT (M11x1,5mm high, SW17)	2	2	-	2
7	349.1.40.010.1	CONE Ø18x13	2	2	-	2
8	349.1.40.011.1	COVER DISC 29,2/18,5/0,4	2	2	-	2
9	22757	BALL 7/32"	2	2	2	2
10	349.1.40.006.1	BEARING CUP Ø29x10,5	2	2	-	2
11	349.1.40.003.2	FRONT WHEEL BRAKE HUB (with pressed-in bearing cups)	1	1	-	1
12	349.1.40.026.1	FRONT WHEEL AXLE, 156 long	1	1	-	1
13	349.1.40.015.9	PAIR OF BRAKE SHOES (with brake shoe spring)	1	1	-	1
14	349.1.40.019.1	BRAKE SHOE SPRING	2	2	-	2
15	349.1.40.807.0	BRAKE COVER PLATE compl.	1	1	-	1





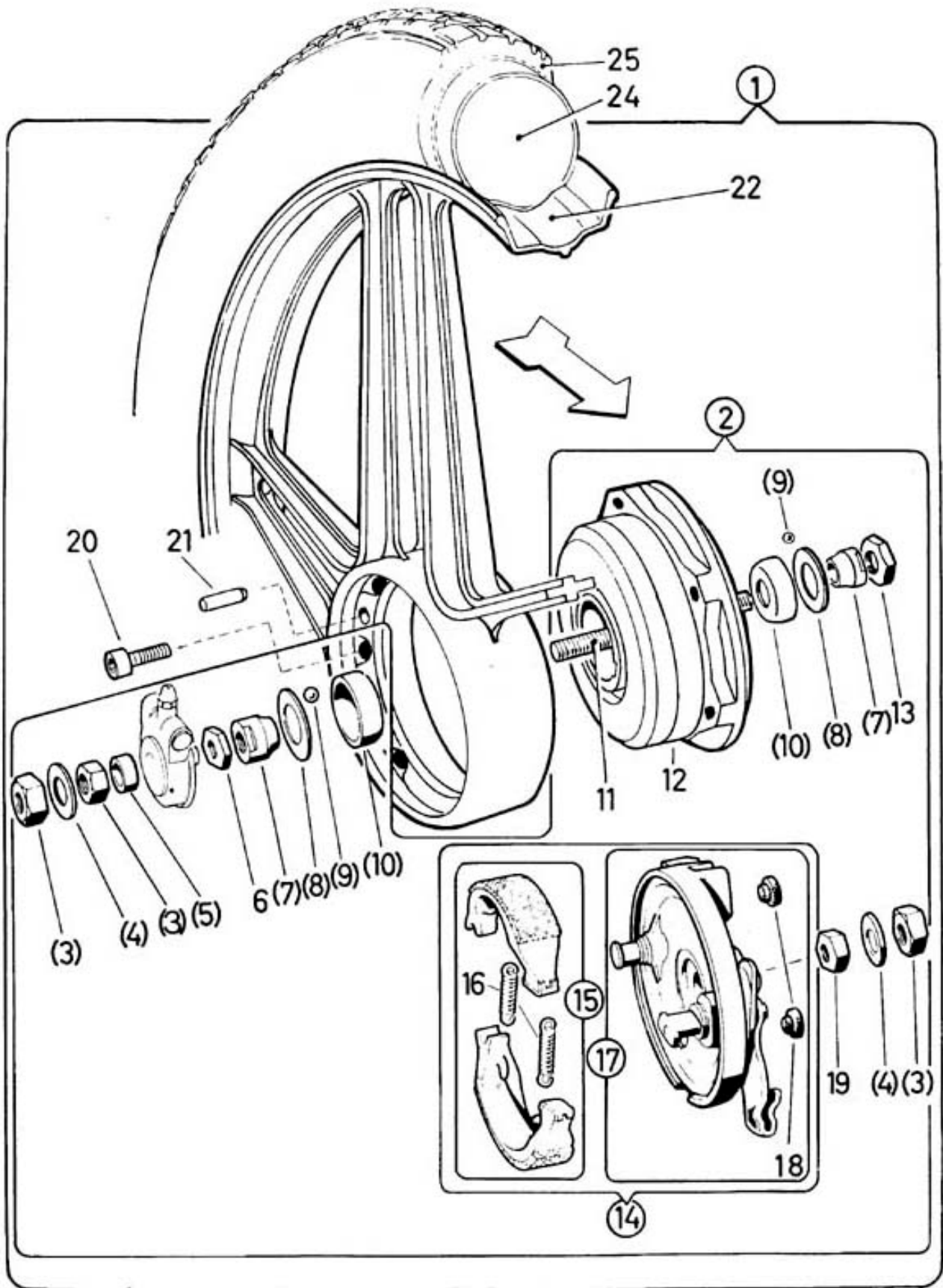
Puch 1-speed and 2-speed Maxi USA

Models			
M	M	S	N
A	A	P	E
X	X	O	W
I	I	R	P
		T	O
	L	/	R
	U	M	T
	X	K	
	E	II	II

19. FRONT WHEEL (Wire Spoke) (cont.)

Ref.- No.	Part- No.	Description	Required-No.			
			M	M	S	N
16	349.1.40.807.9	BRAKE COVER PLATE loose	1	1	-	1
17	349.1.40.816.1	PLUG	2	2	-	2
19	349.3.40.014.1	HEXAGON NUT (M11x1, 7mm high, SW22) replacement for 349.1.40.014.1	1	1	-	1
21	349.2.40.030.1	SPOKE Ø2,6x186	36	36	-	36
22	349.1.40.031.1	NIPPLE M3	36	36	-	36
23	321.2.40.133.1	RIM 1,35x17" (steel)	1	1	-	1
24	901.0894	CHAFING STRIP	1	1	-	1
25	901.0863	INNER TUBE 21"x2"	1	1	-	1
26	902.0800	TIRE 2 1/4 - 17 (21x2,25)	1	1	-	-
26	902.0845	TIRE 2 1/4 - 17 (21x2,25) with reflecting side wall	-	-	-	1





Puch 1-speed and 2-speed Maxi USA

Models			
M	M	S	N
A	A	P	E
X	X	O	W
I	I	R	P
		T	O
		L	R
		U	M
		X	K
		E	II
			II

19a. FRONT WHEEL  
(Mag. Type)

Ref.- No.	Part- No.	Description	Required-No.			
1	321.1.40.300.0/90	FRONT WHEEL compl.-silver	-	-	1	-
2	321.1.40.202.0	FRONT WHEEL HUB compl. (Leleu Ø80, 2543A)	-	-	1	-
3	25015	HEXAGON NUT (axle nut) M12x1 DIN 934	-	-	3	-
4	901.3919	WASHER 20/12,5/1	-	-	2	-
5	321.1.40.204.1	SPACER RING 18/12,1/4	-	-	1	-
6	321.1.40.208.1	HEXAGON NUT (M12x1, 5mm high, 17SW)	-	-	1	-
7	349.1.41.010.1	CONE Ø20x13,5	-	-	2	-
8	349.1.41.004.1	COVER DISC 29,2/21/0,4	-	-	2	-
9	22754	BALL 3/16"	-	-	26	-
10	349.1.41.006.1	BEARING CUP Ø29	-	-	2	-
11	321.1.40.226.1	FRONT WHEEL AXLE (M12x1, 156 long)	-	-	1	-
12	321.1.40.203.2	FRONT WHEEL BRAKE HUB (with pressed-in bearing cups)	-	-	1	-
13	349.1.41.014.1	HEXAGON NUT (M12x1, 5mm high, 19SW)	-	-	1	-
14	321.1.40.207.0	BRAKE COVER PLATE compl.	-	-	1	-
15	349.1.40.015.9	PAIR OF BRAKE SHOES (with brake shoe spring)	-	-	1	-
16	349.1.40.019.1	BRAKE SHOE SPRING	-	-	2	-
17	321.1.40.207.9	BRAKE COVER PLATE loose	-	-	1	-
18	349.1.40.816.1	PLUG	-	-	2	-

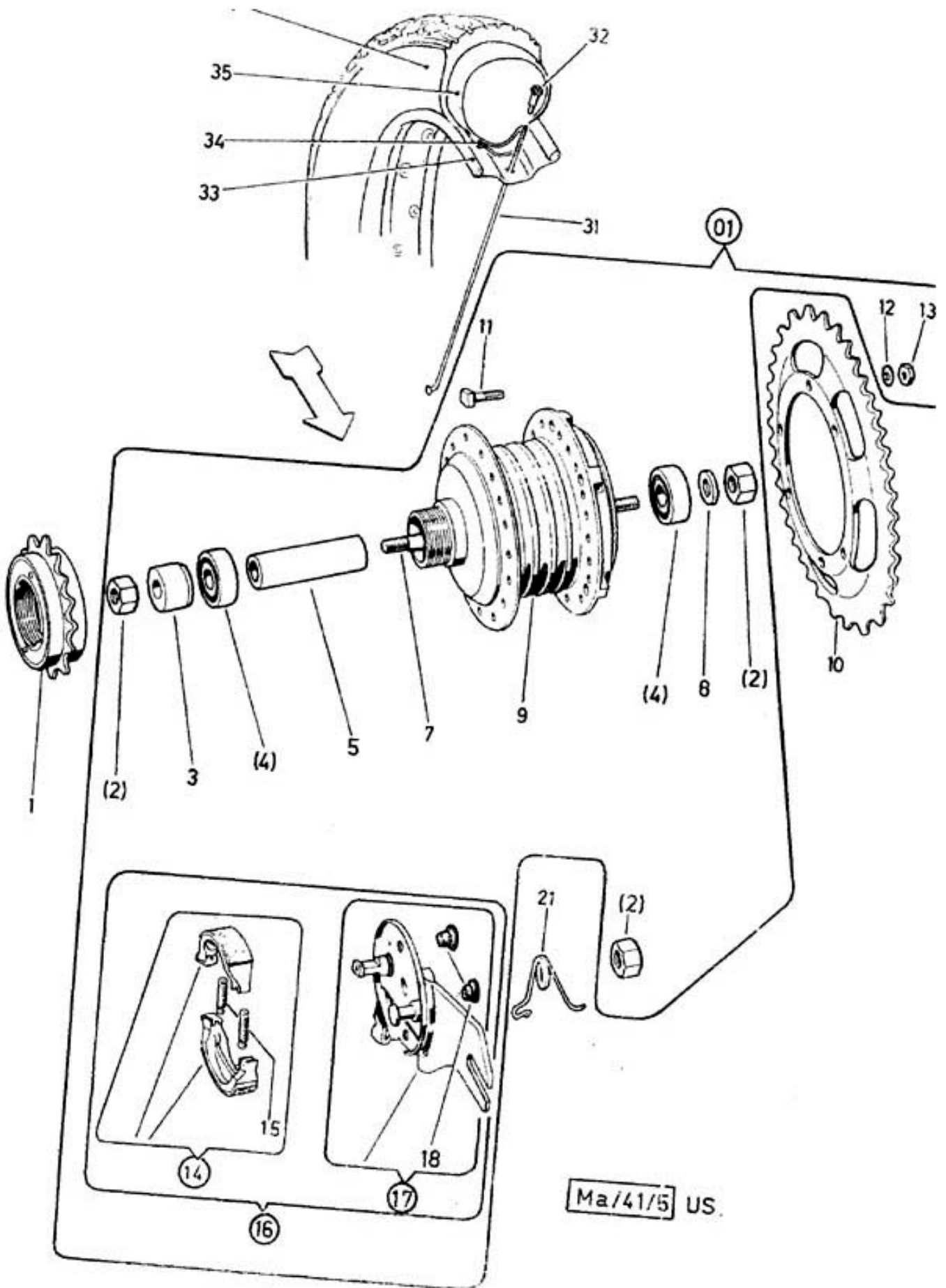




Puch 1-speed and 2-speed Maxi USA

Ref.- No.	Part- No.	Description	Models			
			M	M	S	N
		19a. FRONT WHEEL (cont.) (Mag. Type)	A	A	P	E
			X	X	O	W
			I	I	R	P
					T	O
				L	/	R
				U	M	T
				X	K	
			E	II	II	
			<u>Required-No.</u>			
19	24787	HEXAGON NUT (M12x1,7mm high, 19 SW)	-	-	1	-
20	321.1.40.205.1	HEXAGON SOCKET HEAD SCREW (M8x22-8.8)	-	-	5	-
21	901.4857	SPIRAL PIN (N8x20)	-	-	1	-
22	321.1.40.233.1/90	MAG.RIM 17x1,35 - silver	-	-	1	-
24	901.0863	INNER TUBE 21x2	-	-	1	-
25	902.0800	TIRE 2 1/4 - 17 (21x2,25)	-	-	1	-





Ma/41/5 US.

Puch 1-speed and 2-speed Maxi USA

Models

M	M	S	N
A	A	P	E
X	X	O	W
I	I	R	P
		T	O
	L	/	R
	U	M	T
	X	K	
	E	II	II

20. REAR WHEEL (Wire Spoke)

Ref.- No.	Part- No.	Description	Required-No.			
--	349.6.41.800.9	REAR WHEEL compl. (without tire, chain sprocket and idle sprocket)	1	1	-	1
01	349.5.41.802.0	REAR WHEEL HUB compl. (Leleu Ø80)	1	1	-	1
1	349.2.41.023.0	IDLE GEAR SPROCKET compl. (23 teeth) (Messrs.Maillard)	1	1	-	1
2	25015	HEXAGON NUT (AXLE NUT) M12x1 DIN 934	3	3	-	3
3	349.5.41.825.1	DISTANCE SLEEVE 20/12,1/20	1	1	-	1
4	900.6001	BALL BEARING 28/12/8 (6001 RS)	2	2	-	2
5	359.1.41.023.1	SPACER TUBE 16/13/70	1	1	-	1
7	349.5.41.826.1	REAR WHEEL AXLE, 182 long	1	1	-	1
8	349.5.41.824.1	DISTANCE RING 18/12,1/2,5	1	1	-	1
9	349.5.41.803.1	REAR WHEEL BRAKE HUB, loose	1	1	-	1
10	349.1.41.040.1	CHAIN SPROCKET (40 teeth) (1,5 HP and 2 HP)	-	-	-	1
10	349.1.41.045.1	CHAIN SPROCKET (45 teeth) (1 HP)	1	1	-	-
			-	-	-	1
11	349.2.41.005.1	RETAINING BOLT (M6x22)	6	6	-	6
12	900.3267	SERRATED LOCK WASHER A6,4 DIN 6798	6	6	-	6
13	24773	HEXAGON NUT M6 DIN 934	6	6	-	6



rucl 1-speed and 2-speed Maxi USA

Models

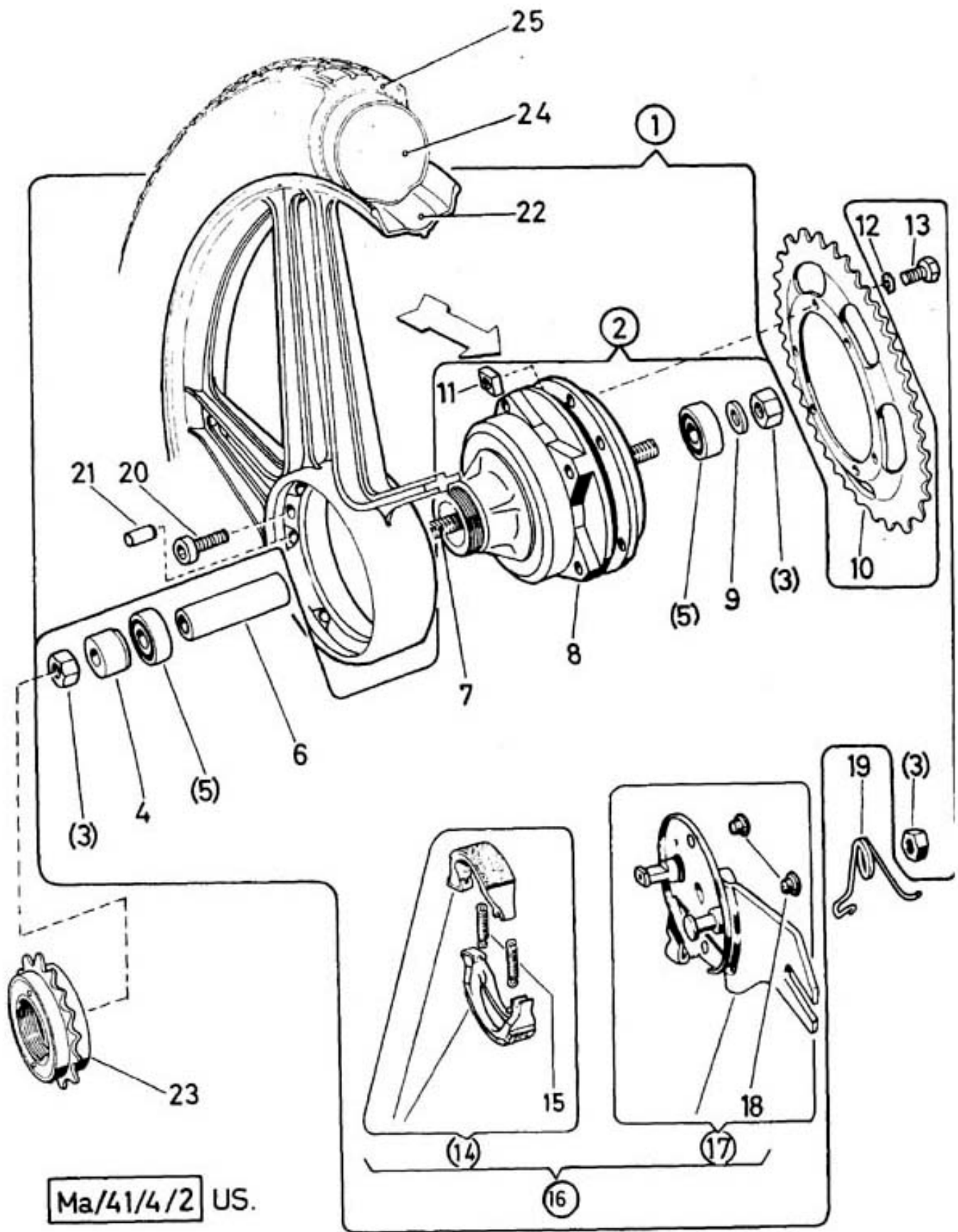
M	M	S	N
A	A	P	E
X	X	O	W
I	I	R	P
		T	O
		L	R
		U	M
		X	K
		E	II
		II	II

20. REAR WHEEL (cont.)  
(Wire Spoke)

Ref.- No.	Part- No.	Description	Required-No.		
14	349.1.40.015.9	PAIR OF BRAKE SHOES (with brake shoe spring)	1	1	- 1
15	349.1.40.019.1	BRAKE SHOE SPRING	2	2	- 2
16	349.1.41.807.0	BRAKE COVER PLATE compl.	1	1	- 1
17	349.1.41.807.9	BRAKE COVER PLATE loose	1	1	- 1
18	349.1.41.816.1	PLUG	2	2	- 2
21	349.3.41.515.1	RETURN SPRING	1	1	- 1
31	349.5.40.030.1	SPOKE Ø2,6x188	36	36	- 36
32	349.1.40.031.1	NIPPLE M3	36	36	- 36
33	321.2.40.133.1	RIM 1,35x17" (steel)	1	1	- 1
34	901.0894	RIM BAND	1	1	- 1
35	901.0863	INNER TUBE 21"x2"	1	1	- 1
36	902.0800	TIRE 2 1/4-17 (21x2,25)	1	1	- -
36	902.0845	TIRE 2 1/4-17 (21x2,25) with reflecting side wall	-	-	- 1







Ma/41/4/2 US.

Puch 1-speed and 2-speed Maxi USA

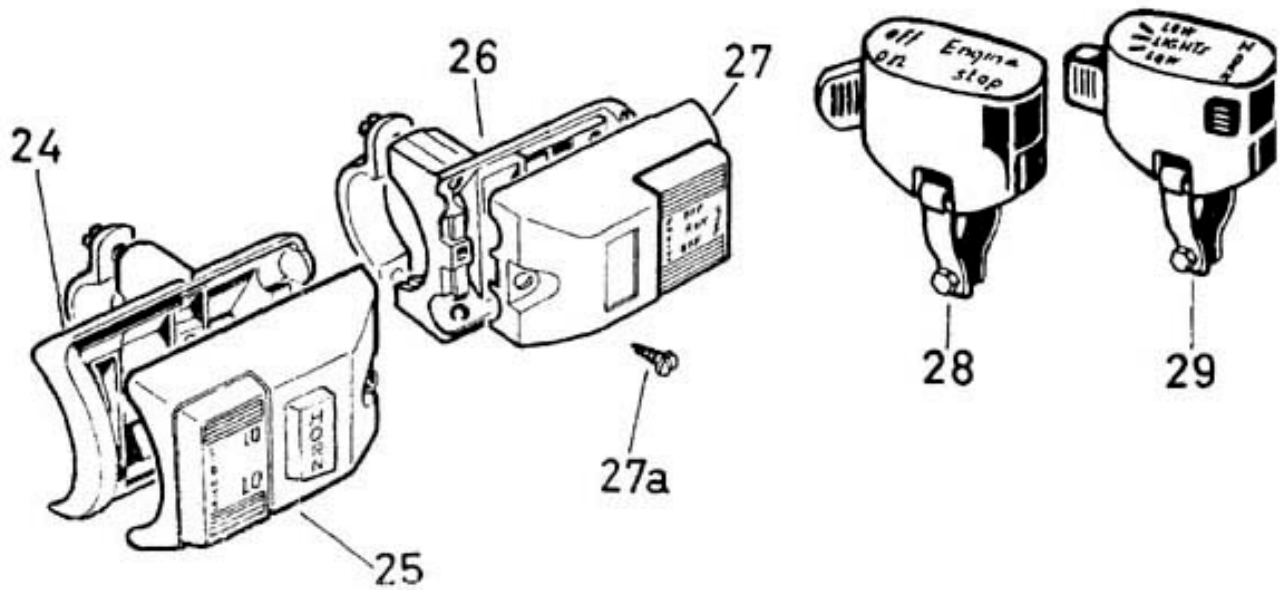
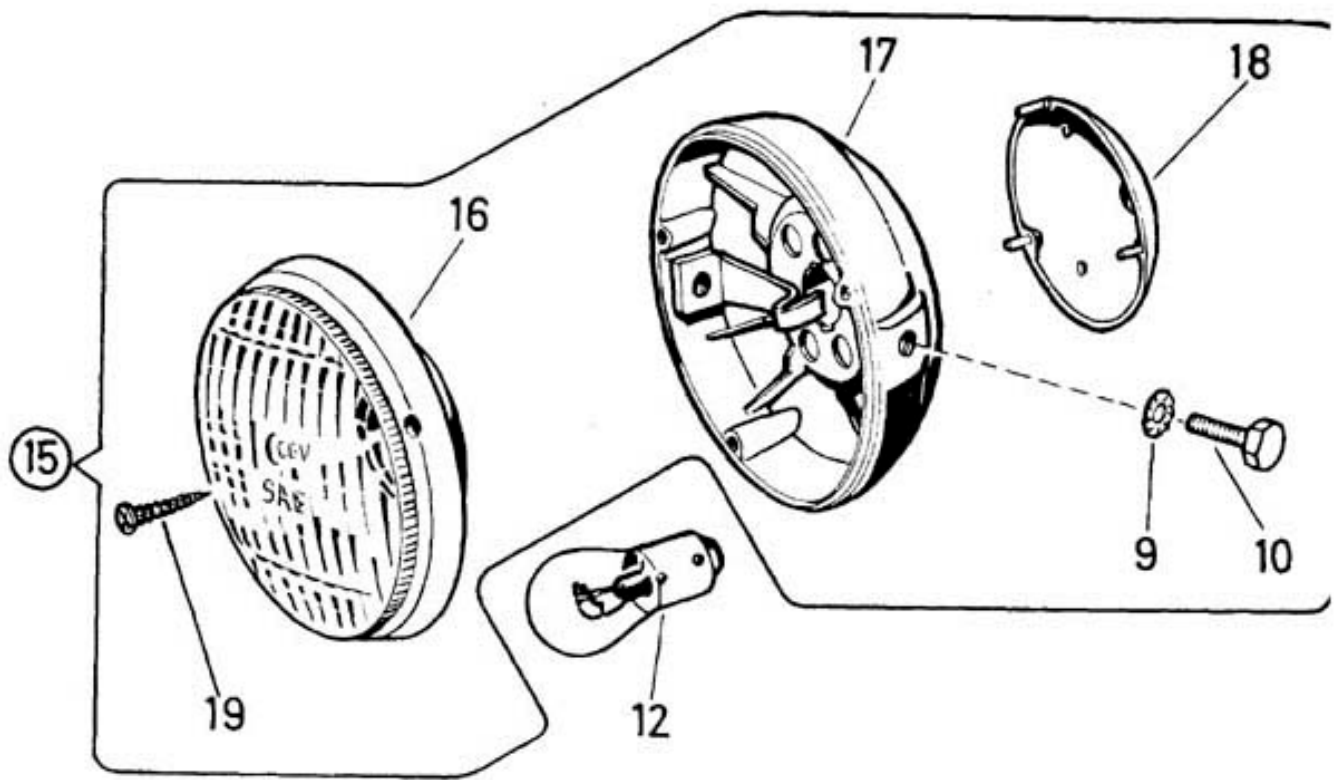
Models

M	M	S	N
A	A	P	E
X	X	O	W
I	I	R	P
		T	O
	L	/	R
	U	M	T
	X	K	
	E	II	II

20a. REAR WHEEL (cont.)  
(Mag. Type)

Ref.- No.	Part- No.	Description	Required-No.			
16	349.1.41.807.0	BRAKE COVER PLATE compl.	-	-	1	-
17	349.1.41.807.9	BRAKE COVER PLATE loose	-	-	1	-
18	349.1.41.816.1	PLUG	-	-	2	-
19	349.3.41.515.1	RETURN SPRING	-	-	1	-
20	321.1.40.205.1	HEXAGON SOCKET HEAD SCREW (M8x22-8.8)	-	-	5	-
21	901.4857	SPIRAL PIN (N8x20)	-	-	1	-
22	321.1.40.233.1/90	MAG.RIM 17x1,35 - silver	-	-	1	-
23	349.2.41.023.0	IDLE GEAR SPROCKET (23 teeth) (Messrs.Maillard)	-	-	1	-
24	901.0863	INNER TUBE 21x2	-	-	1	-
25	902.0800	TIRE 2 1/4 - 17 (21x2,25)	-	-	1	-





Ma/53/1/3 US.



Puch 1-speed and 2-speed Maxi USA

Models			
M	M	S	N
A	A	P	E
X	X	O	W
I	I	R	P
		T	O
	L	/	R
	U	M	T
	X	K	
	E	II	II
Required-No.			

21. HEADLAMP, SWITCH

Ref.- No.	Part- No.	Description	M	M	S	N
9	900.3271	TOOTHED WASHER A6 DIN 6797	2	2	2	2
10	24928	HEXAGON HEAD SCREW M6x16 DIN 933	2	2	2	2
12	903.0773	BULB 6V 21W BA 15S	1	1	1	1
15	349.4.53.800.0	HEADLAMP compl.(Pagani-Nr.1211) (with parts 16-19)	1	1	1	1
16	349.4.53.808.2	HEADLAMP INSERT with glas	1	1	1	1
17	349.4.53.801.2	HEADLAMP BODY with bulb holder	1	1	1	1
18	349.4.53.805.1	COVER for headlamp body	1	1	1	1
19	D079810052	PAN HEAD SCREW 2,9x16 DIN 7981	3	3	3	3
24	349.1.54.818.0	SWITCH BRACKET compl.	-	1	1	1
25	349.4.53.817.0	SWITCH compl. (light and horn)	-	1	1	1
26	349.1.54.018.0	SWITCH BRACKET compl.	-	1	1	1
27	349.2.53.830.0	ENGINE-STOP-SWITCH compl.	-	1	1	1
27a	900.9516	CHEESE HEAD SCREW 3,9x13 DIN 7971	-	2	2	2
28	349.1.53.830.0	ENGINE-STOP-SWITCH compl.	1	-	-	-
29	349.3.53.817.0	SWITCH compl. (light and horn)	1	-	-	-



Puch 1-speed and 2-speed Maxi USA

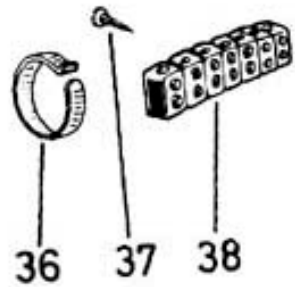
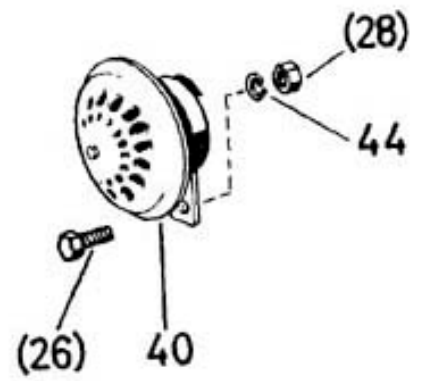
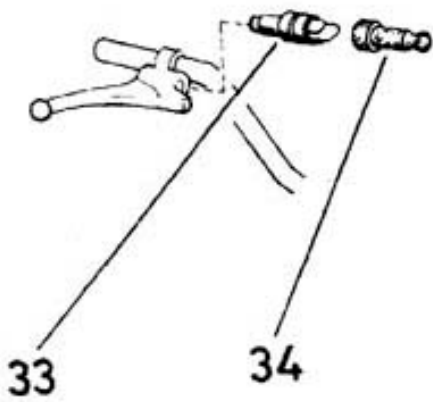
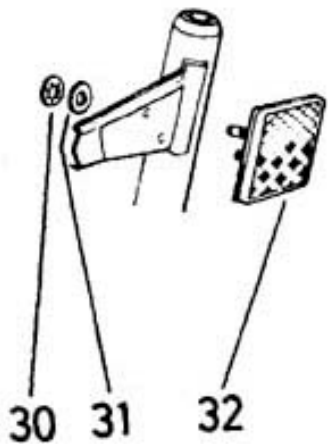
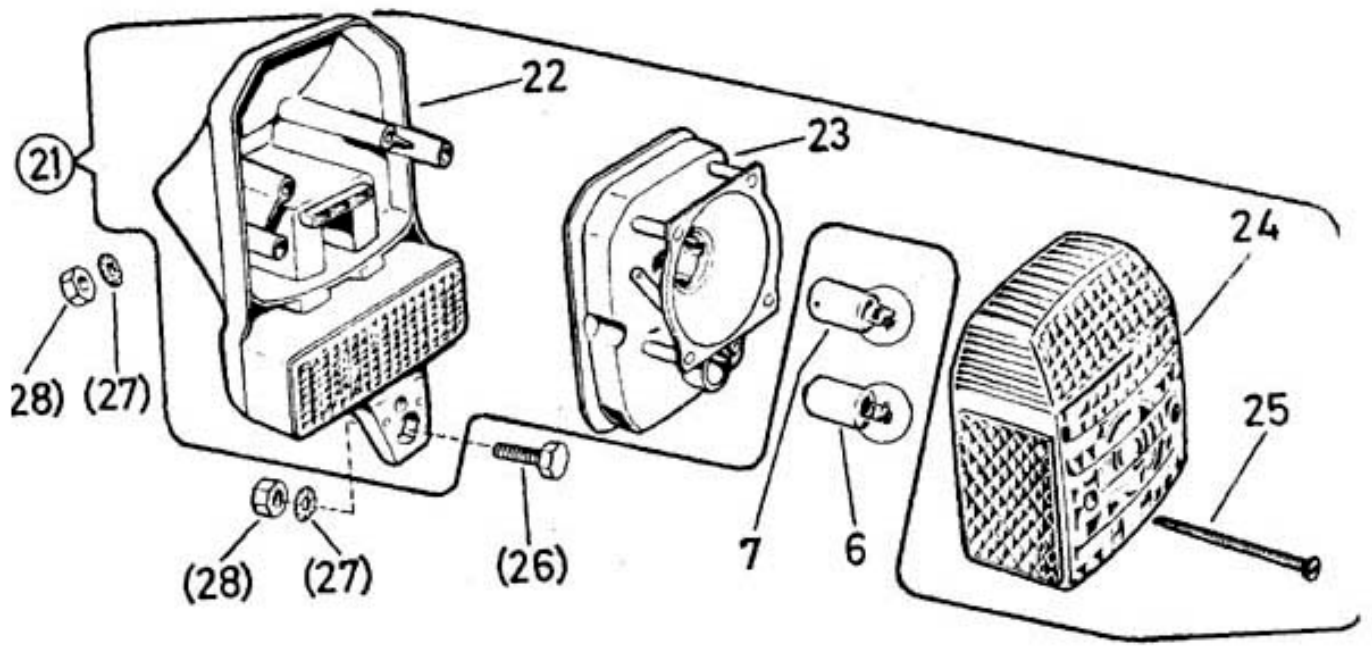
Models

M	M	S	N
A	A	P	E
X	X	O	W
I	I	R	P
		T	O
	L	/	R
	U	M	T
	X	K	
	E	II	II
Required-No.			

21a. TAIL-, STOP-LIGHT, HORN, HARNESS

Ref.- No.	Part- No.	Description	Required-No.			
6	900.0755	BULB 6V/5W BA 15s for tail-light	1	1	1	1
7	900.0703	BULB 6V/10W BA 15s for stop light	1	1	1	1
21	349.4.55.800.0	TAIL-STOP-LIGHT compl. (CEV) (with side reflector, red)	1	1	1	1
22	349.4.55.801.2	HOUSING FOR TAIL-STOP-LIGHT (with rear reflector, red)	1	1	1	1
23	349.4.55.803.2	LAMP BRACKET (with reflector)	1	1	1	1
24	349.4.55.806.2	TAIL LAMP LENS (with side reflector, red)	1	1	1	1
25	D079810302	PAN HEAD TAPPING SCREW 3,5x38 DIN 7981	2	2	2	2
26	24927	HEXAGON HEAD SCREW M6x12 DIN 933	2	2	2	2
27	900.3271	TOOTHED WASHER A6 DIN 6797	2	2	2	2
28	24773	HEXAGON NUT M6 DIN 934	3	3	3	3
30	902.4657	SPEED NUT (FC 050) Ø5	4	4	4	4
31	901.3956	RUBBER WASHER 15/4,5/4	4	4	4	4
32	349.1.53.876.1	SIDE REFLECTOR (yellow)	2	2	2	2
33	413.1.55.120.0	STOP SWITCH for brake levers	2	2	2	2
34	413.1.55.122.1	RUBBER CAP	2	2	2	2
35	349.5.57.700.0	HARNESS compl.	1	-	-	-
35	349.9.57.800.0	HARNESS compl.	-	1	1	1
36	364.1.53.227.1	CABLE BINDER	2	2	2	2





Ma/53/7/1 US.

Puch 1-speed and 2-speed Maxi USA

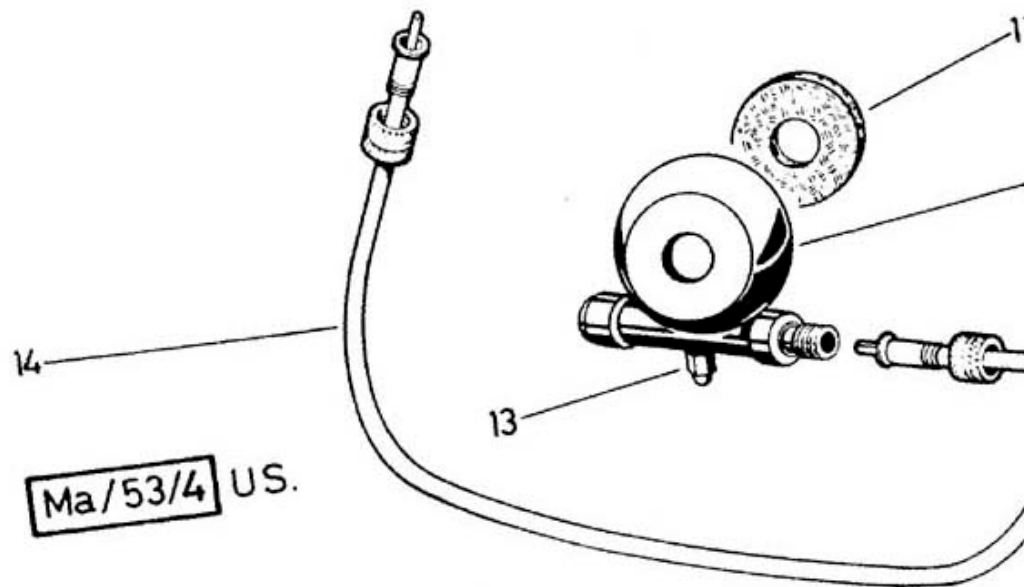
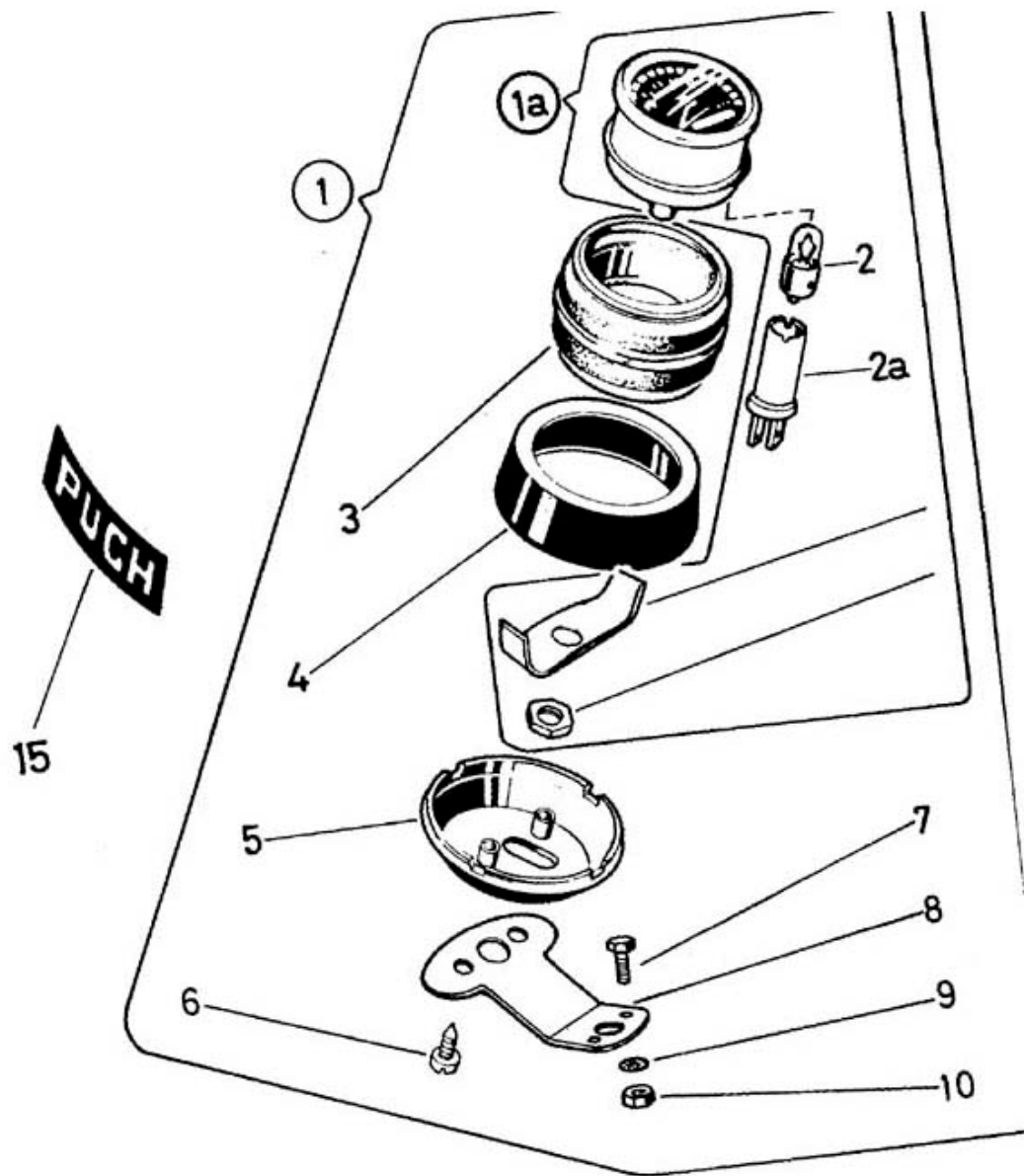
Models

M	M	S	N
A	A	P	E
X	X	O	W
I	I	R	P
		T	O
		L	R
		U	M
		X	K
		E	II II

21a. TAIL-, STOP-LIGHT, HORN, HARNESS (cont.)

Ref.- No.	Part- No.	Description	Required-No.			
37	900.9518	FIXING SCREW B2,9x19 DIN 7971	1	1	1	1
38	364.1.57.002.0	SOFT RUBBER TERMINAL (7 rows)	1	1	1	1
40	904.0758	RATTLE (Pagani with faston plug connector)	1	1	1	1
44	26834	SPRING WASHER B6 DIN 127	1	1	1	1





Puch 1-speed and 2-speed Maxi USA

Models

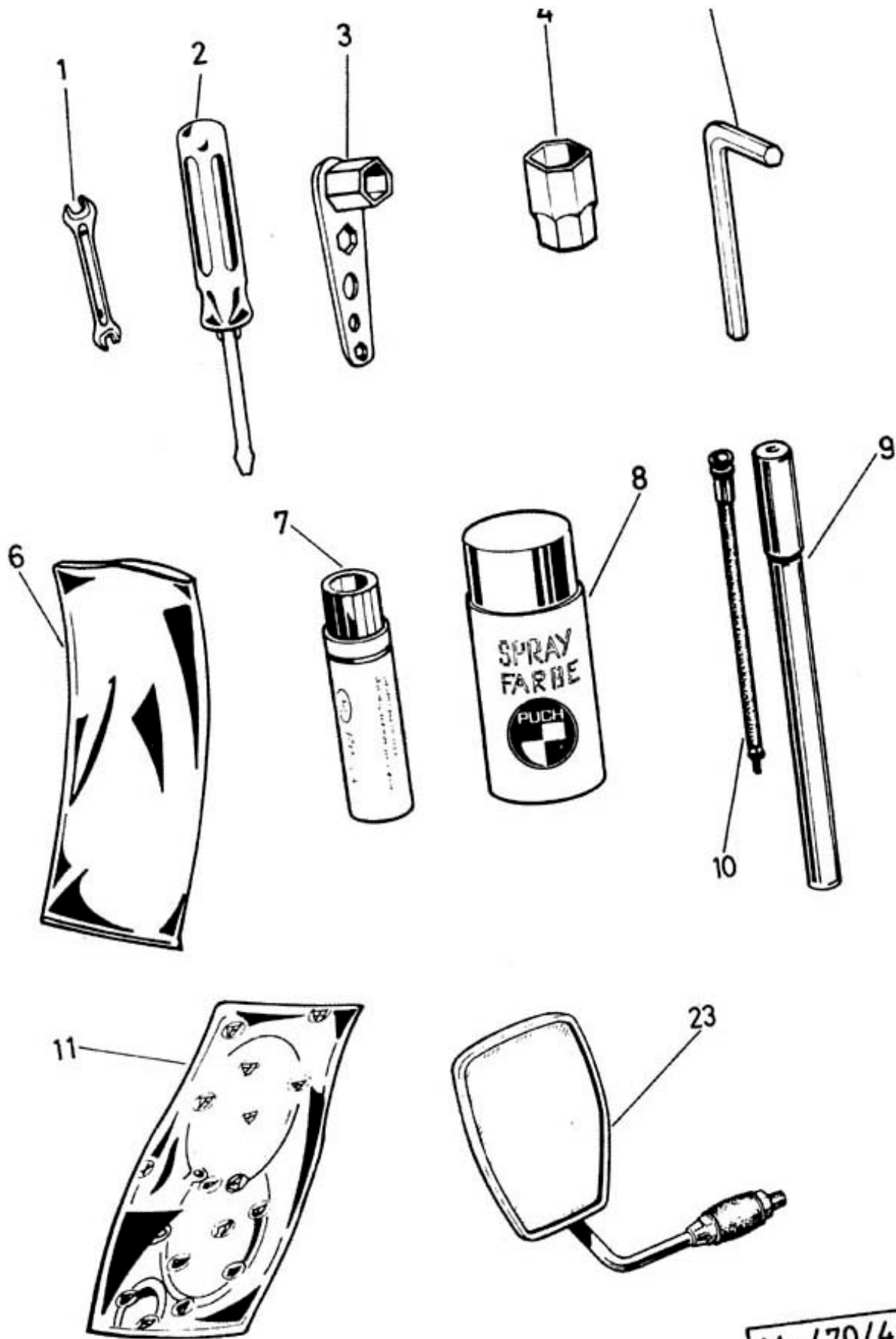
21b. SPEEDOMETER WITH SPEEDOMETER DRIVE

M	M	S	N
A	A	P	E
X	X	O	W
I	I	R	P
		T	O
	L	/	R
	U	M	T
	X	K	
	E	II	II

Ref.- No.	Part- No.	Description	Required-No.			
1	349.7.53.820.0	SPEEDOMETER with fastening cpl.	1	1	-	-
1	349.6.53.820.0	SPEEDOMETER with fastening cpl.	-	-	1	1
1a	349.2.53.824.0	SPEEDOMETER compl. (30 mph) Ø60	1	1	-	-
1a	349.5.53.824.0	SPEEDOMETER compl. (30 mph) Ø60	-	-	1	1
2	900.0762	BULB 6V 0,6W Socket Ba7s	1	1	1	1
2a	349.1.53.823.2	BULB HOLDER compl.	1	1	1	1
3	328.2.53.530.0	DAMPER HOLDER compl.	1	1	1	1
4	328.2.53.523.1	UPPER PART OF SPEEDOMETER HOUSING	1	1	1	1
5	359.1.53.022.1	LOWER PART OF SPEEDOMETER HOUSING	1	1	1	1
6	900.9502	CHEESE HEAD SCREW Bz3,9x9,5 DIN 7971	2	2	2	2
7	25585	HEXAGON SCREW M8x16 DIN 933	1	1	1	1
8	321.2.53.327.1	SPEEDOMETER SUPPORTING BRACKET	1	1	1	1
9	900.3265	SERRATED LOCK WASHER A8,5 DIN 6798	1	1	1	1
10	24775	HEXAGON NUT M8 DIN 934	1	1	1	1
11	050.3.4051	SEALING RING 36/18/5	1	1	1	1
12	349.2.40.050.0*	SPEEDOMETER DRIVE compl.	1	1	-	1
12	349.4.40.050.0**	SPEEDOMETER DRIVE compl.	-	-	1	-
13	26821	GREASE NIPPLE (as required)	1	1	1	1
14	328.1.53.025.0	DRIVING SHAFT compl.(625 long)	1	1	1	1
15	349.1.53.838.1	TRANSFER PICTURE (PUCH)	1	1	1	1

\* For front axle dia. 11 mm  
 \*\* For front axle dia. 12 mm





Ma/70/4

22. TOOLS, PUMP, REAR MIRROR

Models			
M	M	S	N
A	A	P	E
X	X	O	W
I	I	R	P
		T	O
		L	R
		U	M
		X	K
		E	II
		II	II

Ref.- No.	Part- No.	Description	Required-	No.
--	321.3.70.000.0	TOOLS SET	-	1 1 1
1	10181	WRENCH 8/10	-	1 1 1
2	050.2.7021	SCREW DRIVER	-	1 1 1
3	321.1.70.001.2	PLUG WRENCH	-	1 1 1
4	321.1.70.017.1	AXLE WRENCH	-	1 1 1
5	900.7014	ALLEN WRENCH 5 DIN 911	-	1 1 1
6	366.1.70.003.1	TOOL BAG	-	1 1 1
7	900.0261/09	PAINT STICK silver (RAL 9006)	as required	
7	900.0216/09	PAINT STICK silver primer	as required	
7	900.0208/09	PAINT STICK black (RAL 9005)	as required	
7	900.0220/09	PAINT STICK glossy black (GR 9005)	as required	
7	900.0234/09	PAINT STICK candy red (PUCH 3052 T)	as required	
7	900.0221/09	PAINT STICK inka gold (PUCH 2056 M)	as required	
7	900.0222/09	PAINT STICK silver green (PUCH 6071 M)	as required	
7	900.0267/09	PAINT STICK metallic blue (PUCH 5051 T)	as required	
7	900.0297/09	PAINT STICK burgundy (RAL 8017 T)	as required	
7	900.0229/09	PAINT STICK carmine red (PUCH 3058 M)	as required	





Puch 1-speed and 2-speed Maxi USA

Models			
M	M	S	N
A	A	P	E
X	X	O	W
I	I	R	P
		T	O
	L	/	R
	U	M	T
	X	K	
	E	II	II
Required-No.			

22. TOOLS, PUMP, REAR MIRROR (cont.)

Ref.- No.	Part- No.	Description	Required-No.
8	900.0261/08	SPRAY PAINT silver (RAL 9006)	as required
8	900.0216/08	SPRAY PAINT silver primer	as required
8	900.0208/08	SPRAY PAINT black (RAL 9005)	as required
8	900.0220/08	SPRAY PAINT glossy black (GR 9005)	as required
8	900.0234/08	SPRAY PAINT candy red (PUCH 3052 T)	as required
8	900.0267/08	SPRAY PAINT metallic blue (PUCH 5051 T)	as required
8	900.0297/08	SPRAY PAINT burgundy (RAL 8017 T)	as required
8	900.0229/08	SPRAY PAINT carmine red (PUCH 3058 M)	as required
8	900.0221/08	SPRAY PAINT inka gold (PUCH 2056 M)	as required
8	900.0222/08	SPRAY PAINT silver green (PUCH 6071 M)	as required
9	050.7024.0	TIRE PUMP compl.	- 1 1 1
10	050.7023.2	PUMP TUBE	- 1 1 1
11	349.3.10.110.0	GASKET SET	1 1 - -
11	321.2.10.610.0	GASKET SET	- - 1 1
--	349.1.72.801.9	NUTS AND BOLTS KIT	as required
23	349.2.72.810.0	REAR MIRROR compl.	1 1 1 1





## NUMERICAL INDEX

FUCH	1-2 SPEED	MAXI	USA	NUMERICAL INDEX			
PART-NO.		PAGE	REF-NO.	PART-NO.	PAGE	REF-NO.	
186		083	28	26834	115	64	
1141		079	17	27071	015	17	
1426/E1		055	25	27397	061	14	
3298		085	07	27458	057	09	
10181		119	01	29189	055	14	
22754		099	09	29190	065	43	
22757		095	09	29190	069	06	
22803		069	10C	0501221	031	18	
22805		083	23	0501316	037	03	
23340		031	07	0501520	093	44	
24365		017	14	0501535	047	26	
24577		019	20	0501615	055	21	
24772		069	07	0503222	089	03	
24773		049	35	0503222	091	43	
24773		067	01	0503227	089	05	
24773		071	29	0503227	091	44	
24773		103	13	1263025	083	22	
24773		113	28	1263025	083	29	
24774		055	15	1282410	075	12	
24775		083	27	2531635/07	055	08	
24775		117	10	6044124	095	02	
24776		065	38	6051313	077	05	
24787		101	19	9000208/03	121	08	
24795		059	25	9000208/09	119	07	
24796		055	13	9000216/08	121	08	
24804		021	03	9000216/09	119	07	
24804		067	07	9000220/08	121	08	
24804		071	27	9000220/09	119	07	
24804		079	23	9000221/08	121	08	
24806		061	07	9000221/09	119	07	
24807		065	37	9000222/08	121	08	
24927		067	08	9000222/09	119	07	
24927		113	26	9000229/08	121	08	
24928		067	06	9000229/09	119	07	
24928		071	25	9000234/08	121	08	
24928		111	10	9000234/09	119	07	
25015		099	03	9000261/08	121	08	
25015		103	02	9000261/09	119	07	
25015		107	03	9000267/08	121	08	
25429		069	04	9000267/09	119	07	
25585		117	07	9000297/08	121	08	
26422		055	12	9000297/09	119	07	
26427		075	15	9000703	113	07	
26482		013	05	9000717/07	057	03	
26509		069	08	9000717/07	057	03	
26779		093	47	9000755	113	06	
26819		081	04	9000762	117	02	
26821		117	13	9000902/07	063	23	
26834		057	02	9000902/07	063	23	
26834		071	28	9001020	083	25	

PUCH 1-2 SPEED MAXI USA NUMERICAL INDEX

PART-NO.	PAGE	REF-NO.	PART-NO.	PAGE	REF-NO.
9001043	059	23	9003267	103	12
9001048	065	42	9003267	107	12
9001081	107	13	9003271	111	09
9001144	081	05	9003271	113	27
9001149	083	25	9003455	069	05
9001207	019	19	9003702	047	21
9001216	013	09	9003720	017	18
9001221	019	22	9003793	031	20
9001305	017	13	9003797	017	17
9001312	065	41	9003829	027	15
9001320	051	02	9003926	077	06
9001374	091	22	9003994	077	04
9001442	063	21	9004191	063	26
9001442	063	21	9004191	063	26
9001509	015	21	9004503	059	14
9001509	019	24	9004606	031	17
9001684	017	12	9004616	037	02
9001687	017	11	9004616	041	26
9002011	031	10	9004617	029	01
9002014	021	02	9004617	033	05
9002014	079	24	9004517	037	07
9002016	061	05	9004619	031	06
9002021	015	15	9004635	031	11
9002021	017	09	9004740	041	21
9002105	065	44	9004766	031	22
9002115	093	45	9004855	023	09
9002206	051	03	9006001	103	04
9002206	107	11	9006001	107	05
9002909	077	07	9006005	039	01
9002935	083	24	9006129	041	14
9002966	059	26	9006186	035	15
9002975	055	10	9006203	027	05
9003017	077	03A	9006203	037	06
9003027	083	22	9006203	041	22
9003028	029	05	9006233	027	03
9003202	015	20	9006237	027	16
9003202	019	25	9006239	041	18
9003207	055	11	9006840	031	15
9003210	031	09	9006884	039	09
9003211	015	14	9006888	041	19
9003211	017	08	9007014	119	05
9003211	061	06	9009308	039	03
9003211	083	25	9009502	117	06
9003212	049	36	9009516	111	27A
9003212	075	14	9009518	115	37
9003213	055	22	9010863	097	25
9003217	055	26	9010863	101	24
9003253	057	08	9010863	105	35
9003257	059	22	9010863	109	24
9003265	117	09	9010894	097	24

PUCH 1-2 SPEED MAXI USA NUMERICAL INDEX

PART-NO.	PAGE	REF-NO.	PART-NO.	PAGE	REF-NO.
9010894	105	34	9022922	033	12
9011001	015	11	9023816	041	23
9011001	017	15	9023835	027	04
9011002	015	11A	9023847	027	20
9011002	019	23	9024657	113	30
9011034	055	36	9024809	091	48
9011053	013	06	9024922	089	13
9011308	013	10	9030773	111	12
9011308	019	21	9040758	115	40
9011912	025	26	05012123	061	17
9012943	059	15	05027021	119	02
9013801	027	06	05034051	117	11
9013801	037	04	05070232	121	10
9013919	099	04	05070240	121	09
9013923	029	02	90026007	027	19
9013924	029	05	050101054	017	04
9013927	029	02	0009660082	015	18
9013928	029	02	0079810052	111	19
9013929	029	05	0079810302	113	25
9013930	029	05	1262300251	083	22
9013935	085	05	1262300251	085	02
9013941	057	07	3023500150	059	16
9013942	029	05	3023500170	059	18
9013943	029	02	3201150381	047	22
9013949	029	05	3201150391	045	20
9013956	113	31	3211106101	057	04A
9013963	029	05	3211106199	027	17
9013970	029	05	3211106339	017	05
9013971	029	05	3211106371	035	15A
9013972	029	05	3211106491	017	06
9013973	029	05	3211106701	017	16
9014656	037	05	3211106900	013	
9014701	023	11	3211126141	033	04
9014857	101	21	3211126161	033	09
9014857	109	21	3211126251	033	03
9020724	021	01	3211126281	033	11
9020724	025	21	3211126402	033	02
9020726	021	01	3211126450	033	01
9020728	021	01	3211126451	035	16
9020742	059	21	3211134600	077	10
9020745	059	20	3211136002	039	10
9020800	097	26	3211136241	039	08
9020800	101	25	3211136279	035	14
9020800	105	36	3211136379	041	17
9020800	109	25	3211136471	041	16
9020845	097	26	3211136491	039	13
9020845	105	36	3211136501	039	12
9021011	085	03	3211136511	041	15
9022914	015	15	3211136521	039	11
9022919	055	23	3211137031	039	05

PUCH 1-2 SPEED MAXI USA NUMERICAL INDEX

PART-NO.	PAGE	REF-NO.	PART-NO.	PAGE	REF-NO.
3211137040	039	02	3213126022	035	13
3211137041	039	06	3213126120	033	07
3211137061	039	04	3213126302	033	08
3211137072	039	07	3213136471	041	16
3211150181	093	46	3213156301	047	32
3211201531	085	14	3213160201	055	27
3211270021	069	03A	3213165000	053	01
3211270092	069	09	3213271000	069	01A
3211287791	015	22	3213426010	077	01A
3211287791	019	28	3213700000	119	
3211402020	099	02	3214126022	035	13
3211402032	099	12	3214126120	033	07
3211402041	099	05	3214126302	033	08
3211402051	101	20	3214136471	041	16
3211402051	109	20	3214156301	047	32
3211402070	099	14	3214165000	053	01
3211402079	099	17	3214166012	053	02
3211402081	099	06	3214271141	069	10B
3211402261	099	11	3215136471	041	16
3211402331/90	101	22	3215166012	053	02
3211402331/90	109	22	3215323011	091	20
3211403000/90	099	01	3216106010	013	
3211413009/90	107	01	3216136471	041	16
3211413020	107	02	3216166012	053	02
3211413031	107	08	3217106010	013	
3211426051	077	03A	3218106010	013	
3211509000	057		3218323012	089	19
3211508102	059	13	3251520050	057	01
3211700012	119	03	3281108041	021	05
3211700171	119	04	3281109601	025	25
3212106100	121	11	3281150362	049	37
3212106311	017	03	3281530250	117	14
3212106329	017	02	3282320061	091	47
3212106351	017	10	3282320281	089	12
3212126173	027	14	3282535231	117	04
3212126202	033	10	3282535300	117	03
3212136002	039	10	3301150161	043	10
3212136202	041	20	3301200529	085	11
3212136231	041	24	3301200591	085	12
3212136471	041	16	3301200601	085	15
3212137040	039	02	3311100111/12	023	10
3212137041	039	06	3311100111/13	023	10
3212165000	053	01	3311101601	023	08
3212212000	081	01	3371131751	033	06
3212300162	087	17B	3371151201	093	43
3212302152	087	17A	3491100041	021	05
3212401331	097	23	3491100050	021	06
3212401331	105	33	3491100069/21	023	07
3212533271	117	08	3491100069/22	023	07
3213106150	027	12	3491100069/23	023	07

PUCH	1-2 SPEED	MAXI	USA	NUMERICAL INDEX			
PART-NO.		PAGE	REF-NO.	PART-NO.		PAGE	REF-NO.
3491100069/24		023	07	3491205351		065	47
3491100069/25		023	07	3491205361		065	48
3491100131		023	12	3491208151		063	29
3491100213		027	02	3491208151		063	29
3491101069/21		023	07	3491208261		063	34
3491101069/22		023	07	3491208261		063	34
3491101069/23		023	07	3491208491		065	50A
3491101069/24		023	07	3491208511		065	50
3491101069/25		023	07	3491208521		065	50B
3491101150		027	01	3491215041		081	03
3491101603		025	25	3491215091		081	02
3491103320		013	01	3491215131		081	21
3491103491		013	04	3491215511		081	12
3491108040		013		3491215521		081	13
3491108900		013		3491218500		081	11A
3491120081		031	12	3491220311		063	25
3491120091		031	13	3491220311		063	25
3491120141		031	16	3491228200		061	03A
3491120151		031	14	3491228211		061	03B
3491123311		031	23	3491228351		063	20
3491125040		031	08	3491228351		063	20
3491131132		037	03	3491231000		063	35
3491131142		037	03	3491231000		063	35
3491131152		037	03	3491238000		063	35A
3491131162		037	03	3491274031		069	03
3491131182		041	25	3491274141		069	10A
3491150081/12		045	13	3491278201		065	40
3491150081/22		045	13	3491280210		079	21
3491150111		047	27	3491280221		079	21B
3491150121		047	28	3491280231		079	21C
3491150131		047	29	3491285271		079	32
3491150151		043	11	3491288151		073	11
3491150151		045	11	3491295000		071	21
3491150191		043	05	3491295271		071	25
3491150291		043	06	3491300151		085	10
3491150471		047	23A	3491301171		087	21
3491150631		047	23	3491301261		087	18
3491150651		047	25	3491301351		087	22
3491150700		051	11	3491301371		085	16
3491150731		051	12	3491301431		087	27
3491150741		051	04	3491305181		085	04
3491151221		049	33	3491308201		087	20A
3491153301		047	32	3491310000		087	25
3491160119		053	06	3491320311		091	50
3491160131		055	07	3491321070/31		089	17
3491160181		055	09	3491321100		089	16
3491160191		053	04	3491326170		091	41
3491168012		053	02	3491326180/31		091	42
3491200281		061	13	3491326321		091	49
3491205251		065	45	3491328070		089	02

PUCH 1-2 SPEED MAXI USA NUMERICAL INDEX

PART-NO.	PAGE	REF-NO.	PART-NO.	PAGE	REF-NO.
3491328091	089	09	3491538232	117	02A
3491328151	089	10	3491538300	111	28
3491328170	091	41	3491538381	117	15
3491328180/31	091	42	3491538761	113	32
3491328180/90	091	42	3491540180	111	26
3491328191	091	45	3491548180	111	24
3491335072	067	03	3491728019	121	
3491336081	067	05	3492100361	019	27
3491400032	095	11	3492102011	021	04
3491400041	095	04	3492105069/11	025	24
3491400061	095	10	3492105069/22	025	24
3491400081	095	06	3492105069/33	025	24
3491400101	095	07	3492108040	013	
3491400111	095	08	3492108101	057	04
3491400159	095	13	3492120111	029	03
3491400159	099	15	3492150631	047	23
3491400159	105	14	3492151221	049	33
3491400159	107	14	3492153301	047	32
3491400161	095	01	3492157000	043	01
3491400191	095	14	3492165002	053	05
3491400191	099	16	3492200291	063	22
3491400191	105	15	3492200291	063	22
3491400191	107	15	3492208000	061	01
3491400261	095	12	3492208331	063	27
3491400311	097	22	3492208331	063	27
3491400311	105	32	3492208351	061	18
3491408070	095	15	3492208431	063	19
3491408079	097	16	3492208431	063	19
3491408161	097	17	3492208441	063	19
3491408161	099	18	3492208441	063	19
3491408341	063	28	3492208451	063	19
3491408341	063	28	3492208451	063	19
3491410041	099	08	3492208491	065	50A
3491410061	099	10	3492208511	065	50
3491410101	099	07	3492208521	065	50B
3491410110	079	22	3492228200	061	03A
3491410141	099	13	3492228300	063	24
3491410401	103	10	3492228300	063	24
3491410401	107	10	3492228341	061	02
3491410451	103	10	3492228351	063	20
3491410451	107	10	3492228351	063	20
3491418070	105	16	3492274000	069	01
3491418070	109	16	3492274091	069	10
3491418079	105	17	3492280072	073	05
3491418079	109	17	3492285062	073	08
3491418161	105	18	3492288151	073	11
3491418161	109	18	3492288161	073	11
3491420051	061	16	3492296241	067	12
3491421051	077	03	3492296241	071	22
3491528532	059	24	3492296251	067	13



PUCH	1-2 SPEED	MAXI	USA	NUMERICAL INDEX			
PART-NO.		PAGE	REF-NO.	PART-NO.		PAGE	REF-NO.
3492296251		071	23	3493328161		091	29
3492296261		067	11	3493400081		095	03
3492296261		071	24	3493400141		097	19
3492296271		067	10	3493408000		095	
3492301152		085	17	3493408020		095	01
3492301341		087	20	3493415151		105	21
3492305021		091	21	3493415151		109	19
3492305072		087	24	3493508000		057	
3492326170		091	41	3493508102		059	13
3492328050		089	11	3493508112		057	10
3492328080		089	14	3493508122		057	05
3492400301		097	21	3493508142		057	11
3492400500		117	12	3493508192		057	12
3492410051		103	11	3493538170		111	29
3492410230		103	01	3494100011		021	04
3492410230		109	23	3494100342		019	26
3492421021		077	08	3494100361		015	19A
3492422031		077	09	3494108040		013	
3492538240		117	01A	3494154000		043	01
3492538300		111	27	3494160012		053	02
3492728100		121	23	3494168000		053	01
3493100131		023	12	3494205470		063	33
3493101100		121	11	3494205470		063	33
3493102050		021	06	3494286031		073	07
3493104011		025	22	3494288151		073	11
3493104669/03		025	24	3494308062		087	23
3493104669/04		025	24	3494328050		089	01
3493108040		013		3494328080		089	08
3493120221		031	19	3494400500		117	12
3493120281		031	21	3494421030		077	01
3493121022		029	04	3494538000		111	15
3493131200		037	09	3494538012		111	17
3493150700		051	01	3494538051		111	18
3493150731		051	05	3494538082		111	16
3493154000		043	01	3494538170		111	25
3493158000		043	01	3494558000		113	21
3493160141		053	03	3494558012		113	22
3493205102		065	39	3494558032		113	23
3493208000		061	01	3494558062		113	24
3493208341		073	09	3495103351		013	03
3493208351		061	18	3495108040		013	
3493208370		061	04	3495168000		053	01
3493215531		081	14	3495230000		063	35
3493228341		061	02	3495245002		075	11
3493240061		075	13	3495320061		089	04
3493285200		079	31	3495400301		105	31
3493306000		085	01A	3495418020		103	01
3493320281		089	07	3495418031		103	09
3493320281		091	46	3495418241		103	08
3493320321		091	49	3495418241		107	09

PUCH 1-2 SPEED MAXI USA NUMERICAL INDEX

PART-NO.	PAGE	REF-NO.	PART-NO.	PAGE	REF-NO.
3495418251	103	03	3621150241	045	19
3495418251	107	04	3621150271	045	16
3495418261	103	07	3621150281	045	18
3495418261	107	07	3621150372	045	20A
3495538240	117	01A	3621150641	047	24
3495577000	113	35	3622150252	045	17
3496104050	025	23	3622150262	045	15
3496108040	013		3622150311	043	07
3496157000	043	01	3641106601	015	16
3496160012	053	02	3641150331	049	38
3496168000	053	01	3641150341	049	39
3496215500	081	11	3641210131	081	21
3496285021	073	06	3641532271	113	36
3496336000	067	04	3641570020	115	38
3496418009	103		3642106601	017	07
3496538200	117	01	3644155161	043	10
3497100342	015	19	3644505132	057	06
3497168000	053	01	3644506181	059	17
3497285021	073	06	3661700031	119	06
3497320171	091	47	3671300041	051	06
3497328050	089	11A	3672300311	087	19
3497538200	117	01	4131551200	113	33
3498100050	021	06	4131551221	113	34
3498154000	043	01	6001150100	079	16
3498155000	043	01	6001330071	085	06
3498157000	043	01	6002330051	085	08
3498160012	053	02	6002330061	085	09
3498320170	091	41	6006150770	079	15
3499285031	073	07	6006150780	079	15
3499298000	067	09	6011231761	061	12
3499306000	085	01	7001090061	057	02
3499578000	113	35	9073280010	077	12
3502270031	069	02	9073280980	077	11
3502300231	085	14	9073280990	077	11
3521410231	103	05	9073281000	077	11
3521410231	107	06	9100120021	093	12
3521530221	117	05	9102110010	093	31
3501100341	013	02	9104180010	093	33
3501100341	017	01	9104200030	093	32
3501400111	077	02	9105100030	093	41
3621150091	045	14	9105100050	093	41
3621150091/48	045	14	9105220010	093	42
3621150091/50	045	14	9108180020	093	11
3621150091/52	045	14	9108180030	093	11
3621150091/56	045	14	9108180040	093	11
3621150091/58	045	14			
3621150091/60	045	14			
3621150091/64	045	14			
3521150131	043	09			
3621150141	043	08			